

Heniver

NOVARA SET USER MANUAL



Heniver



Stars Plastic is the name of our brand that makes a difference in the manufacture of plastic furniture, including many chairs and tables, as well as the manufacture of ladders and drying racks, with the latest models suitable for all tastes and different cultures.

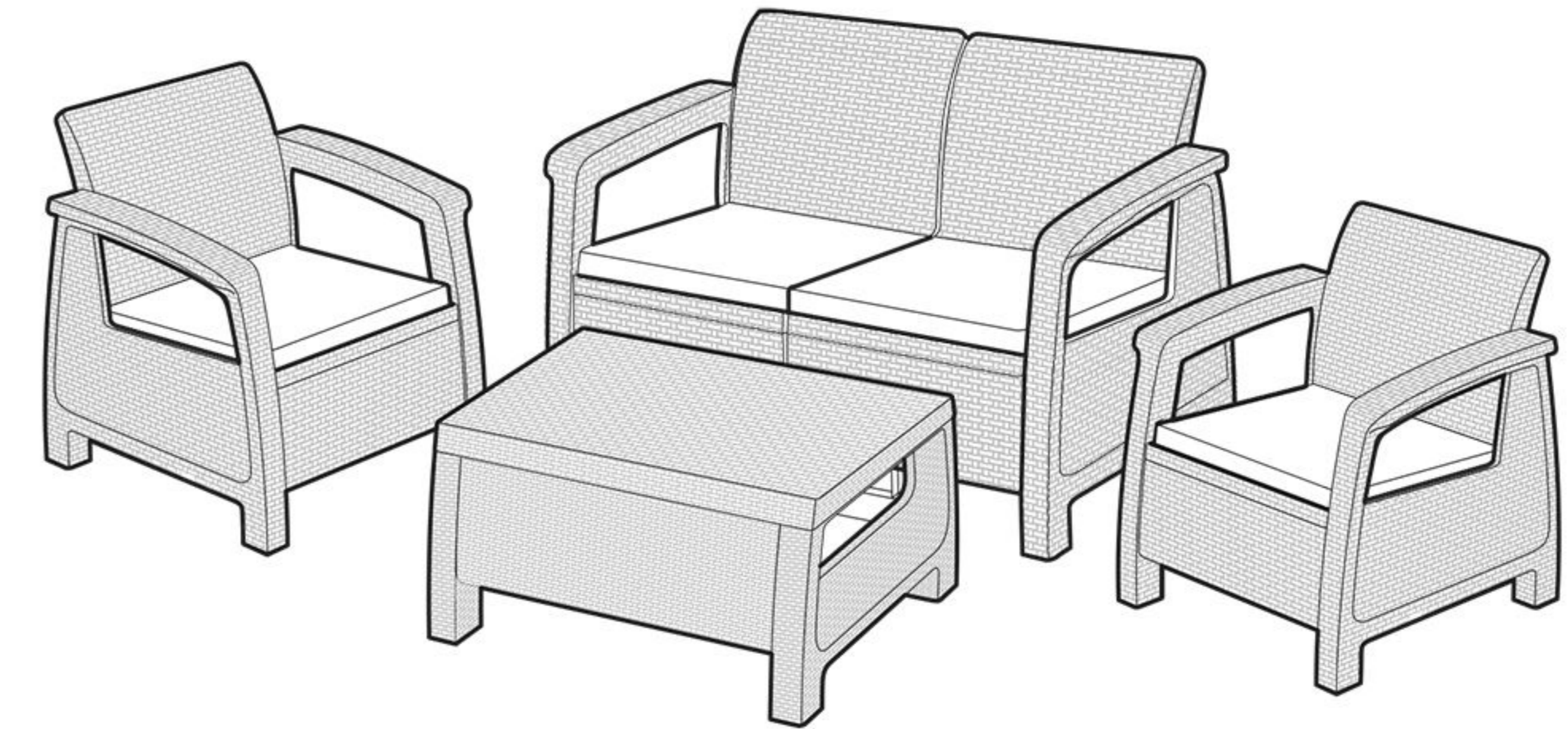
Stars Plastic is your partner that simplifies the purchasing process, reduces costs and provides you with a high level of expertise.

www.starsplastik.com

Heniver

EN ASSEMBLY INSTRUCTIONS ES CONSIGNES DE MONTAGE FR INSTRUCCIONES DE MONTAJE IT MONTAGEANLEITUNG
DE MONTAGE-VOORSCHRIFTEN NL ISTRUZIONI D'ASSEMBLAGGIO PT INSTRUÇÕES DE MONTAGEM

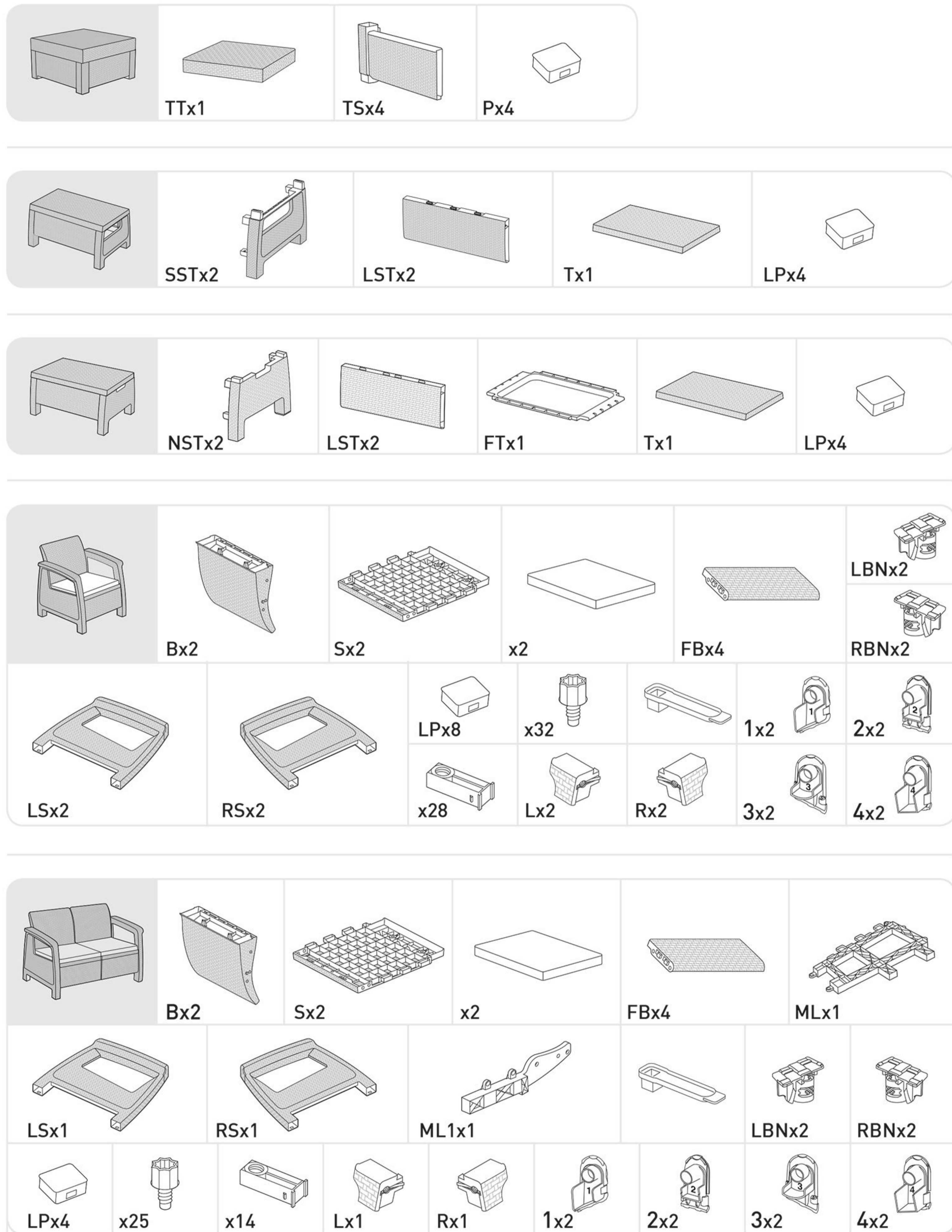
Novara set



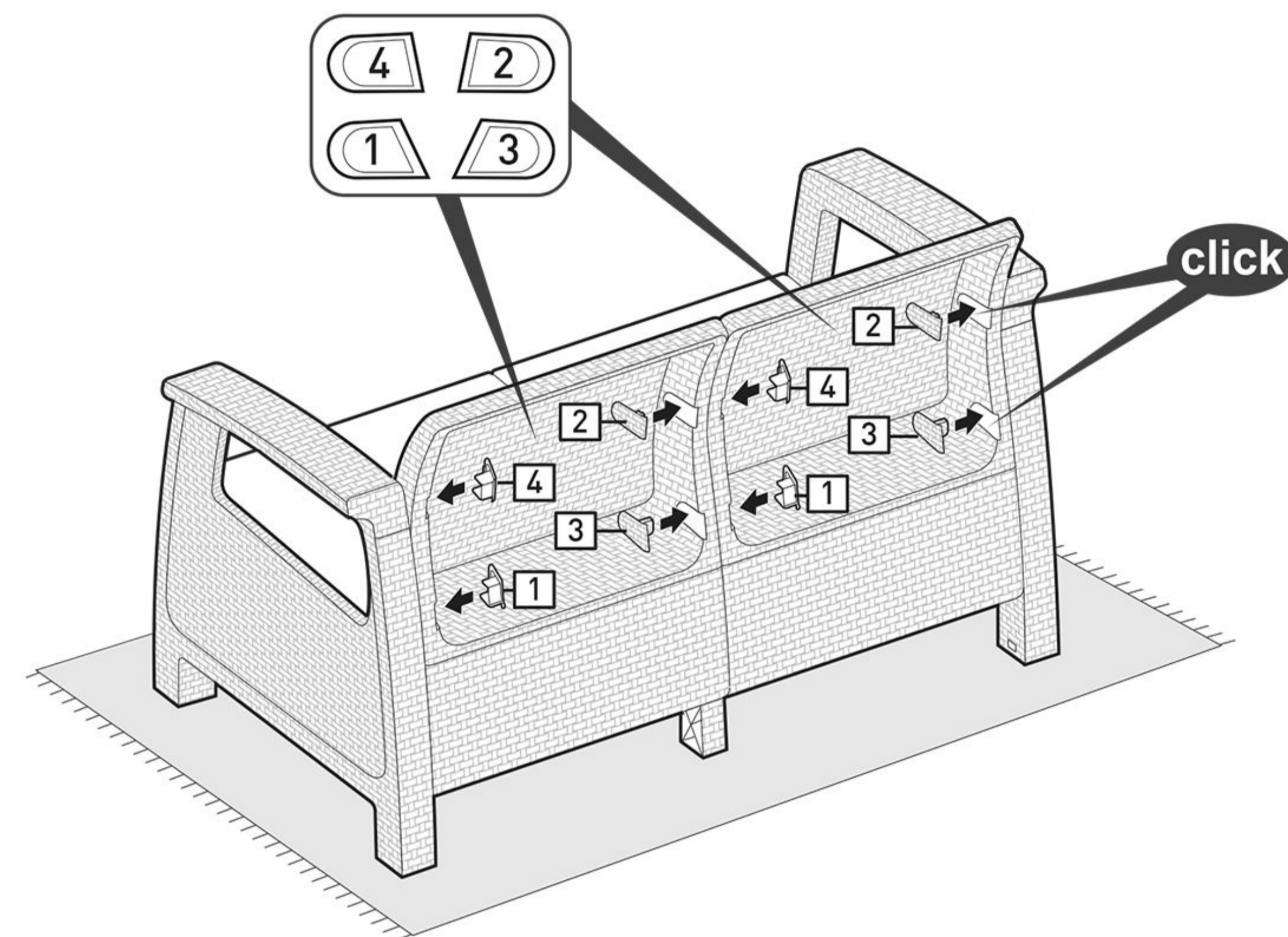
Made in Turkey by
STARS METAL PLASTİK SANAYİ VE TİCARET LİMİTED ŞİRKETİ



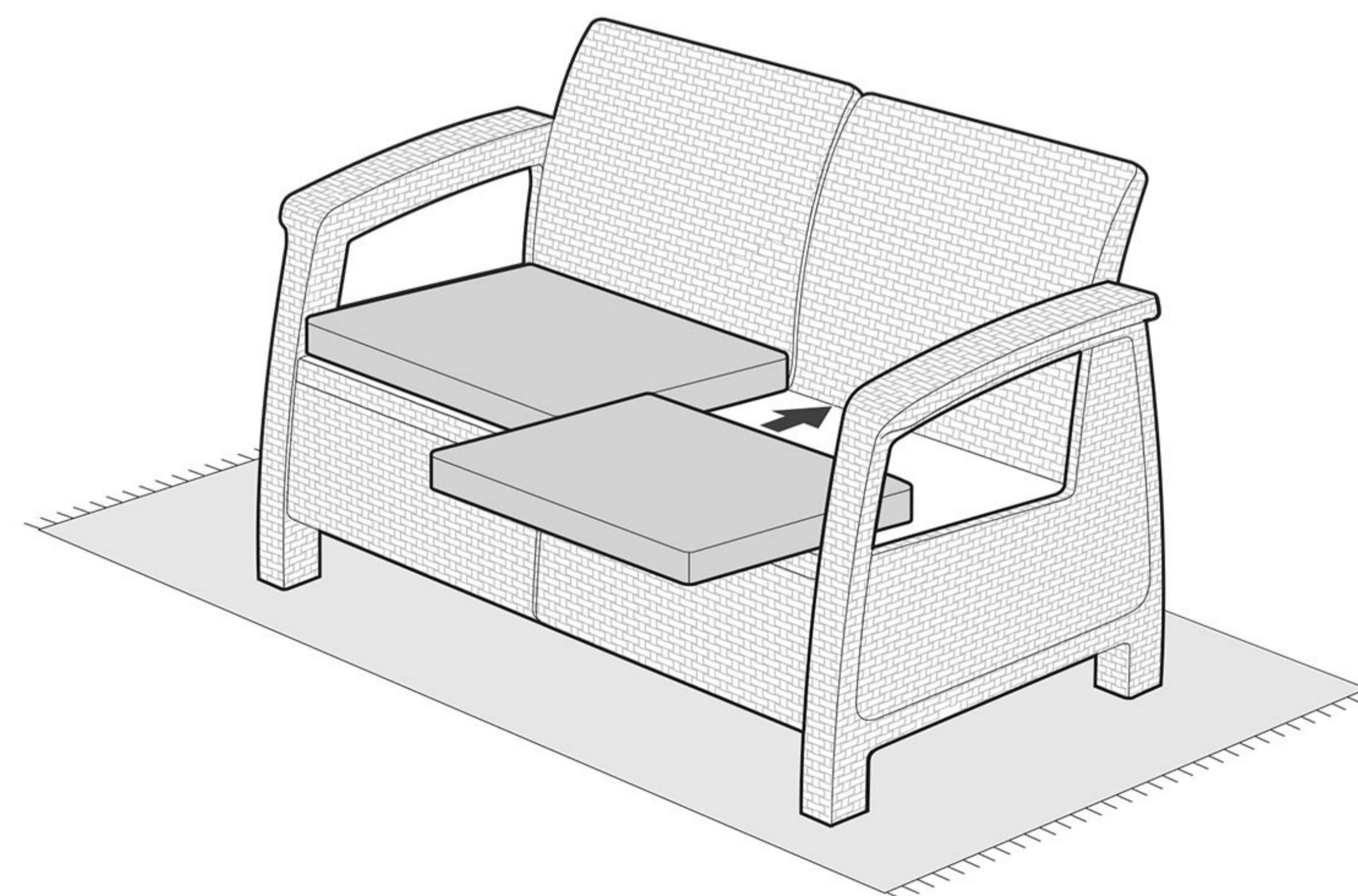
**ASSEMBLY PARTS | PIÈCES À ASSEMBLER | MONTAGETEILE | PIEZAS DE ENSAMBLE
ONDERDELEN | PARTI DA MONTARE | PEÇAS DE MONTAGEM**



14 1x2 2x2 3x2 4x2



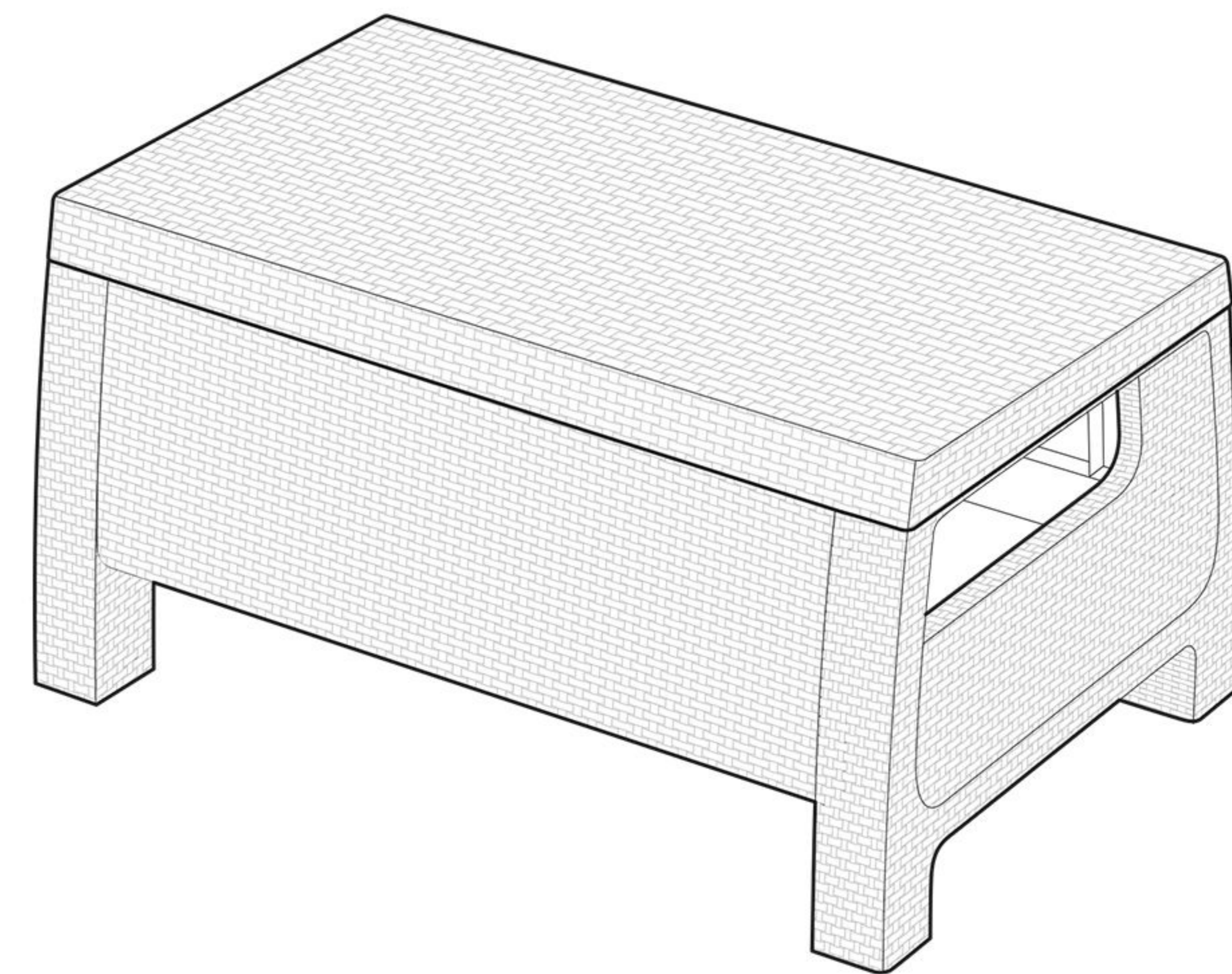
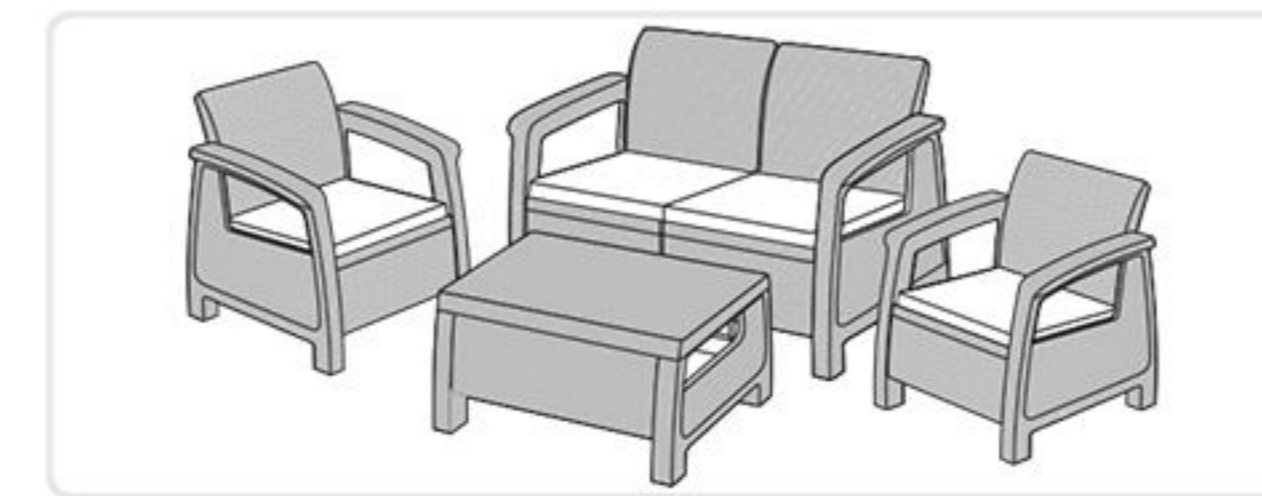
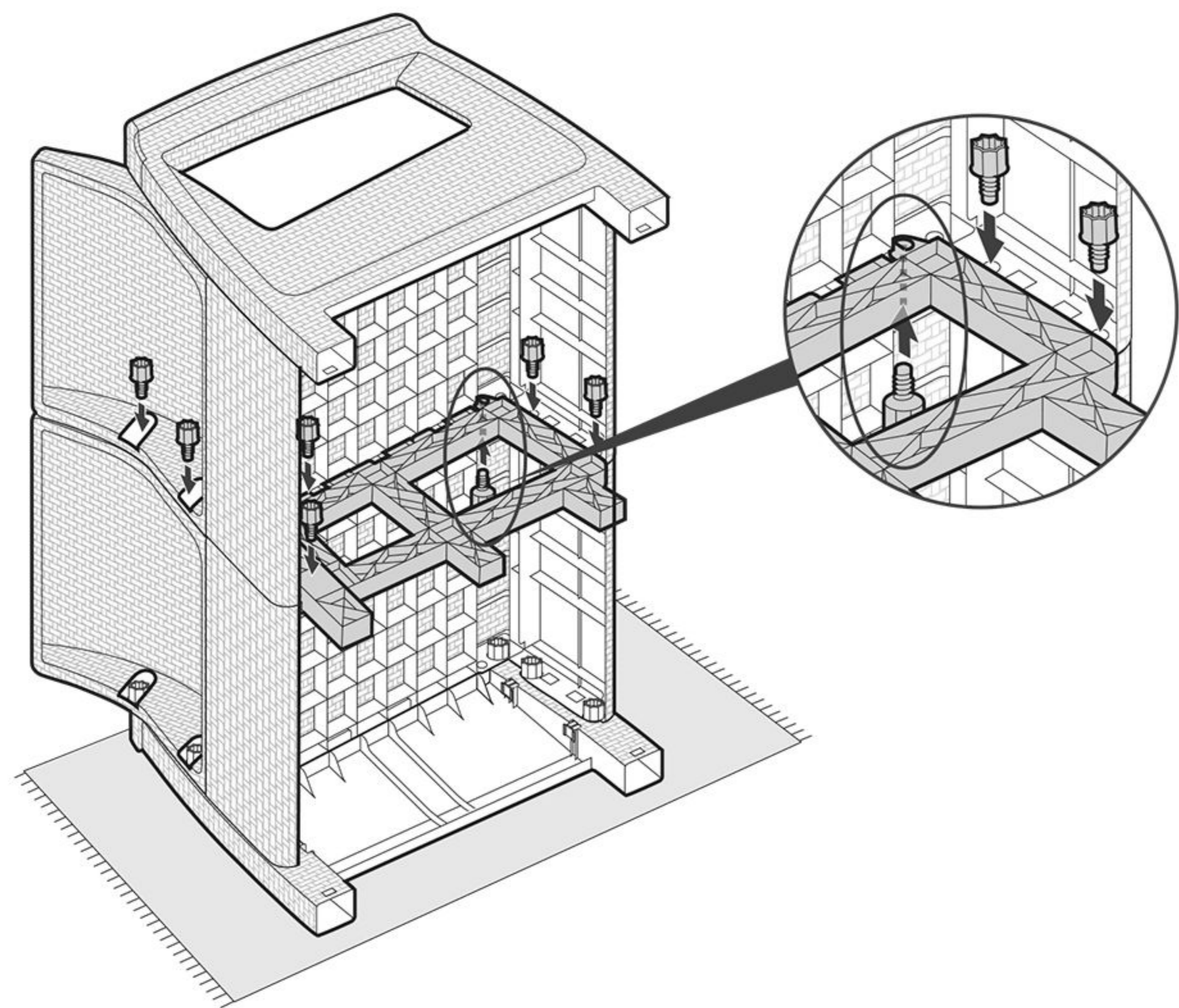
15 x2



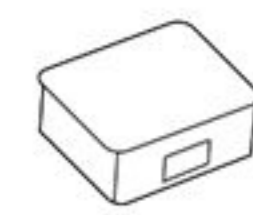
12



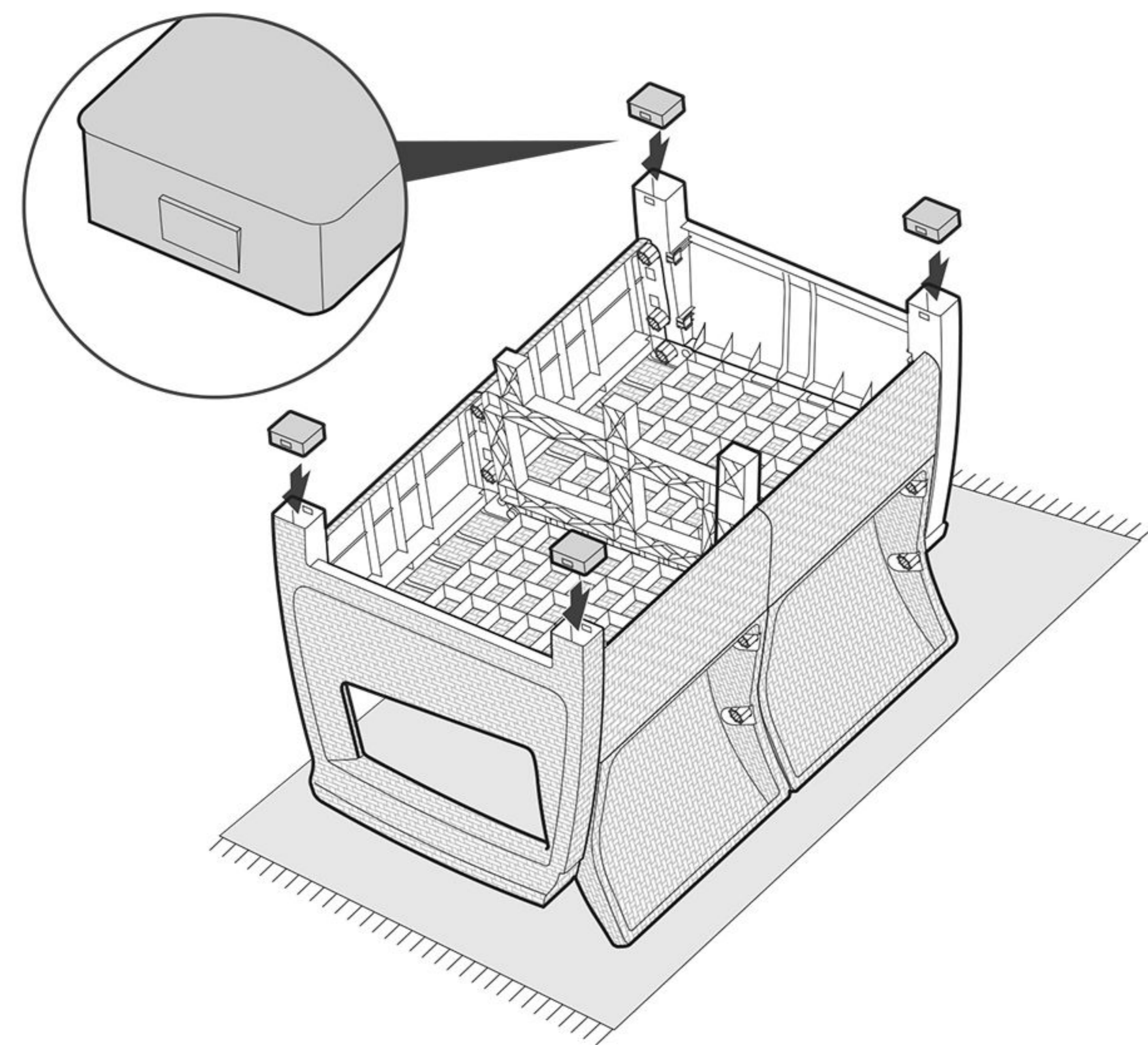
x7



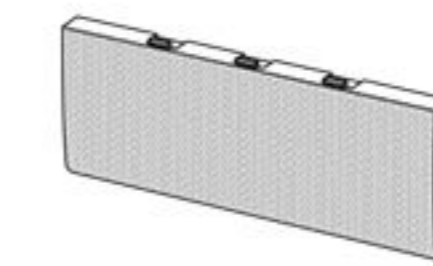
13



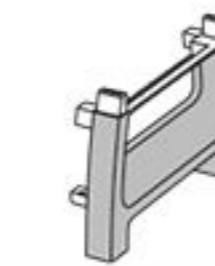
LPx4



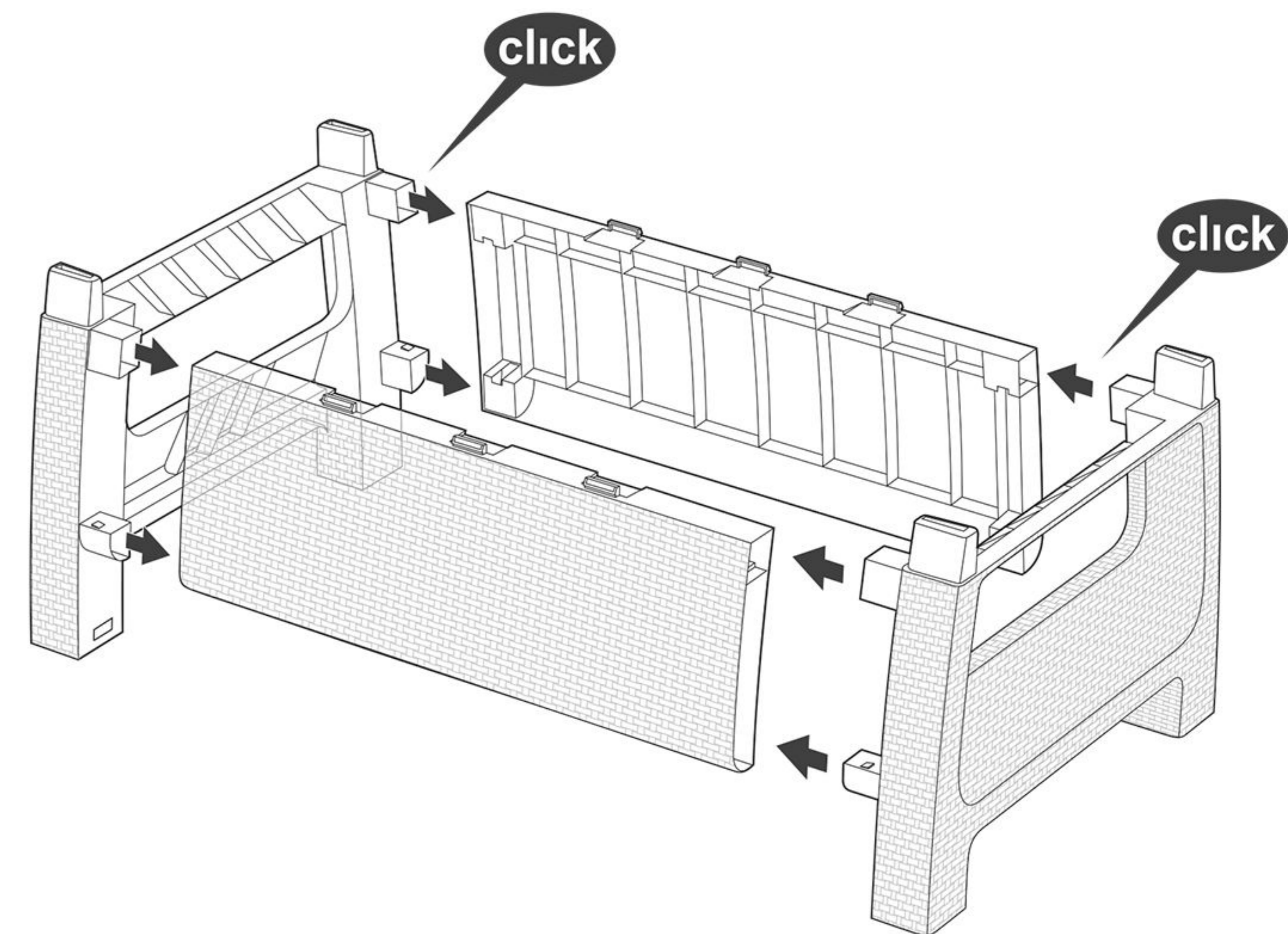
1



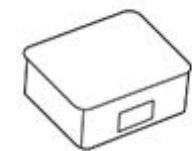
LSTx2



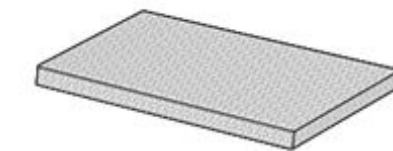
SSTx2



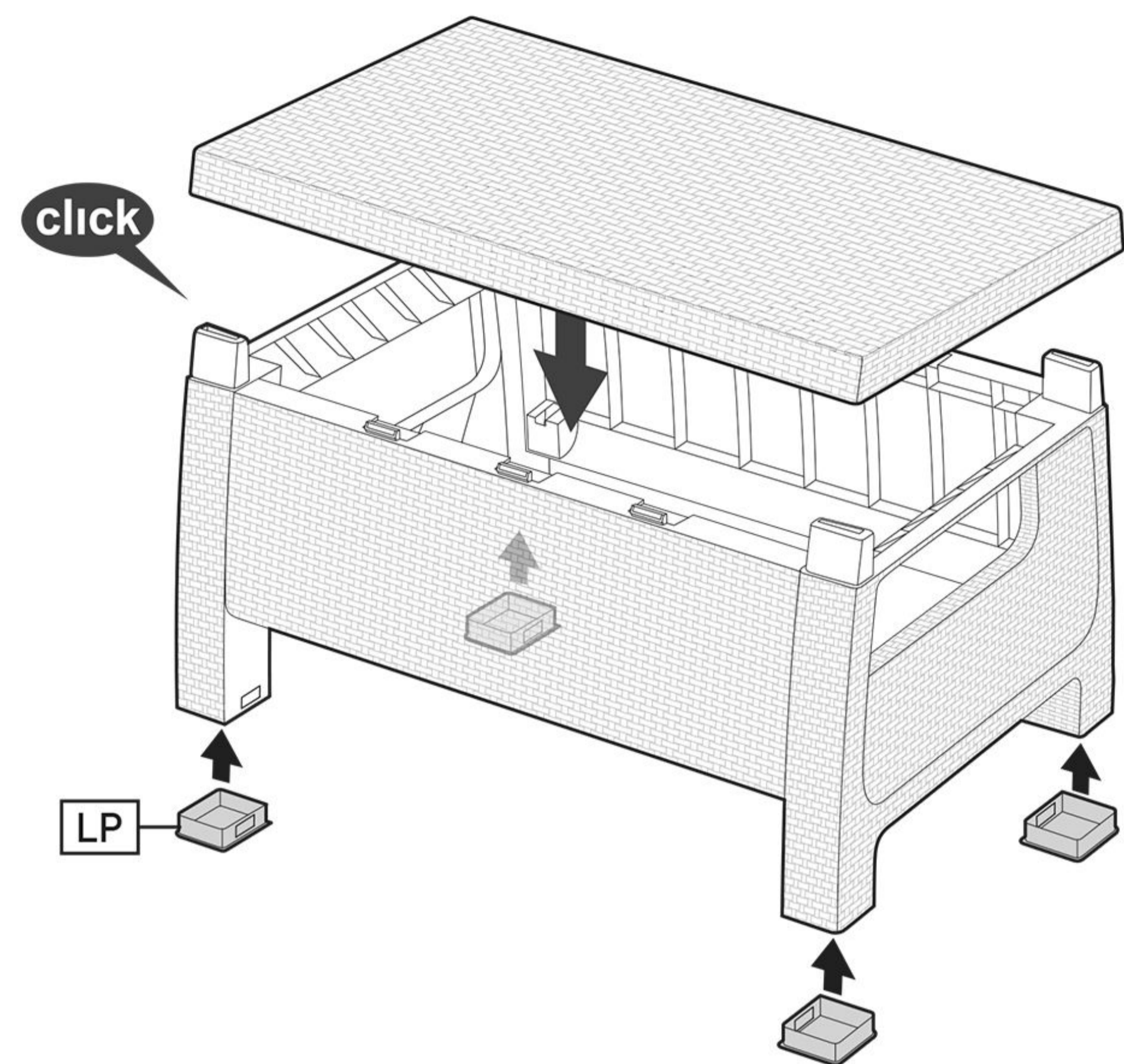
2



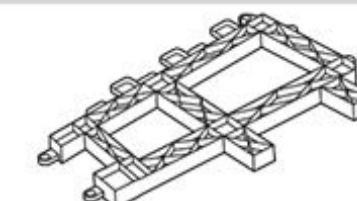
LPx4



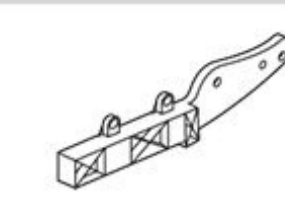
Tx1



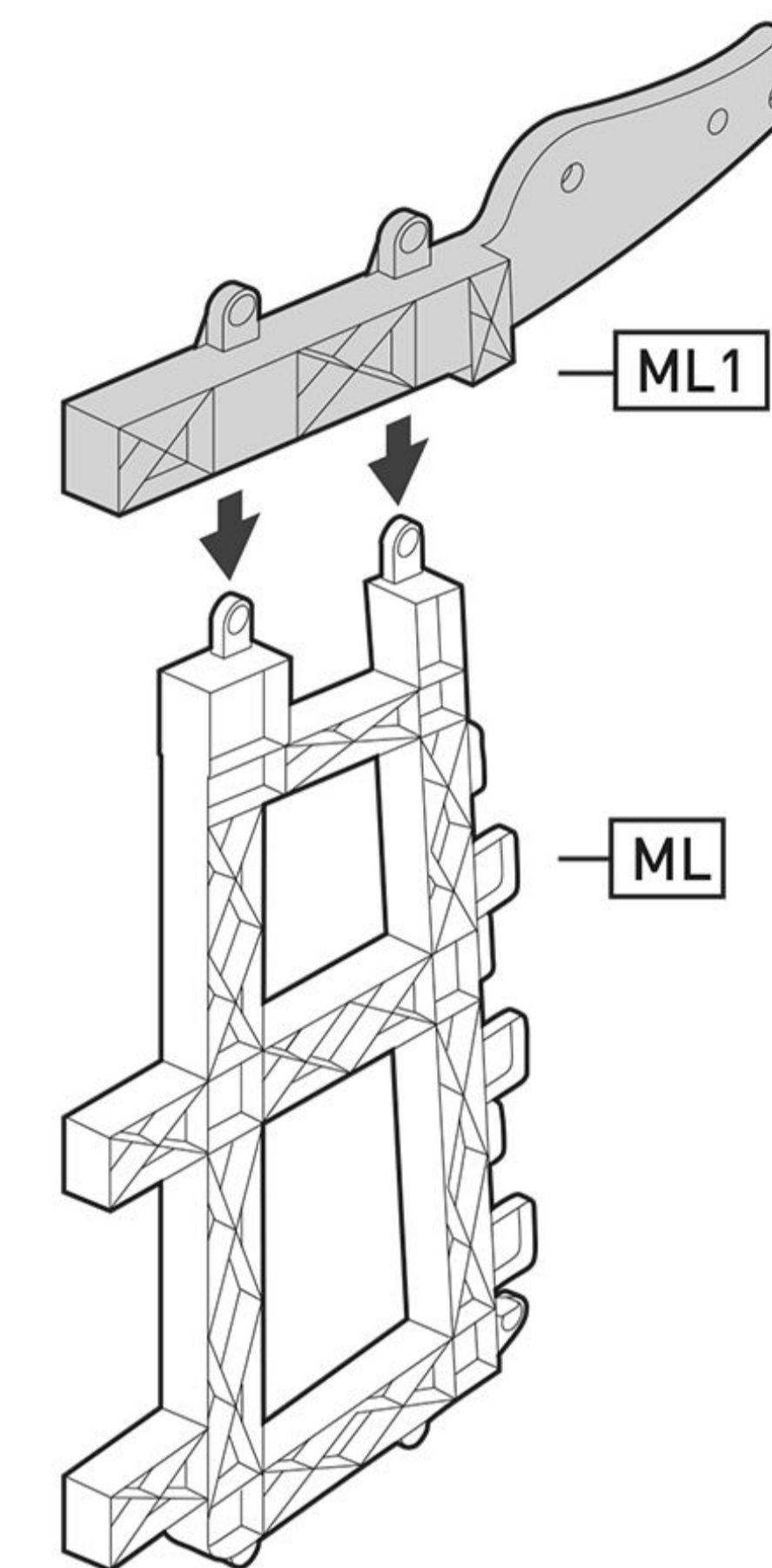
10



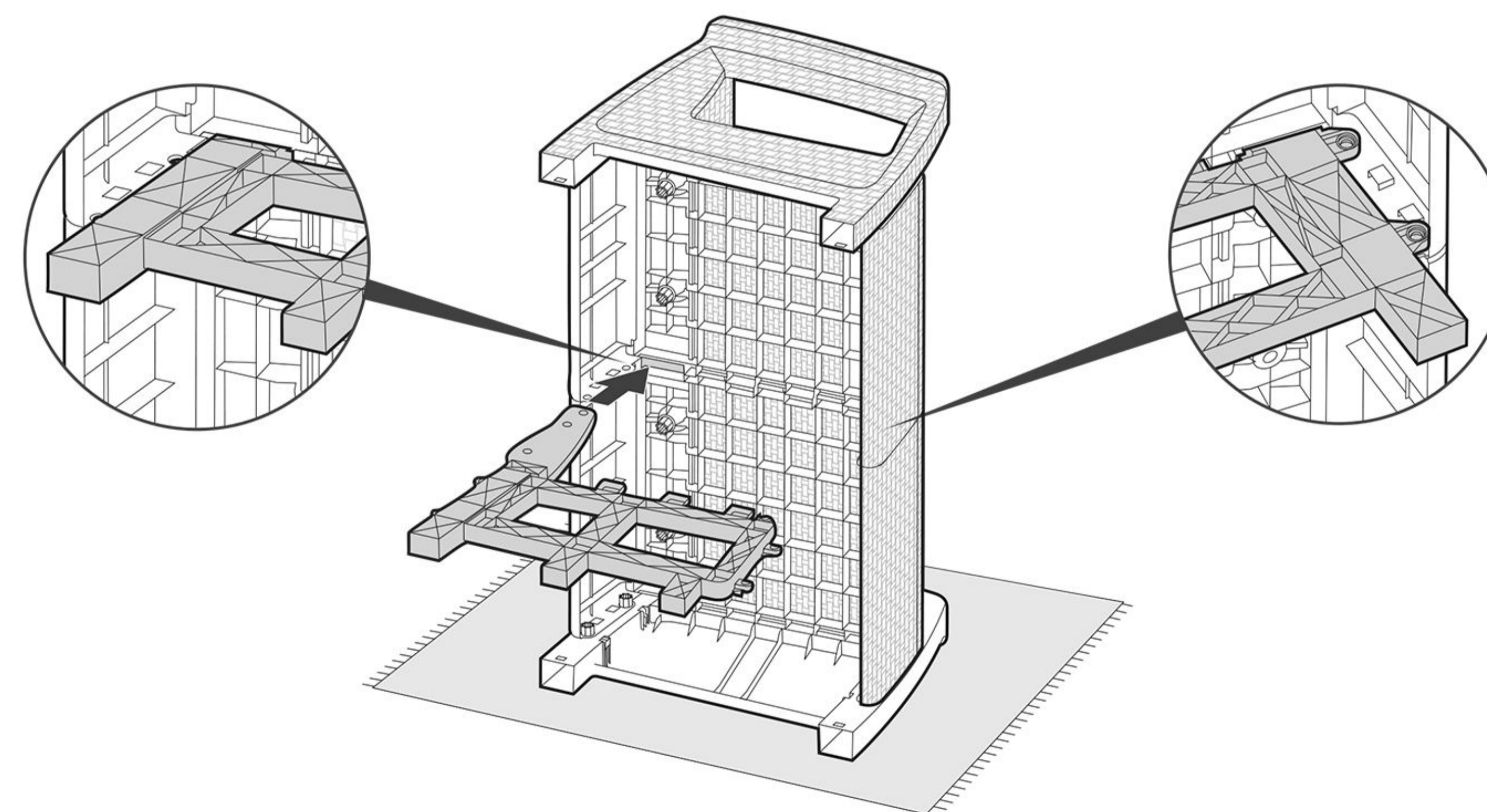
MLx1



ML1x1



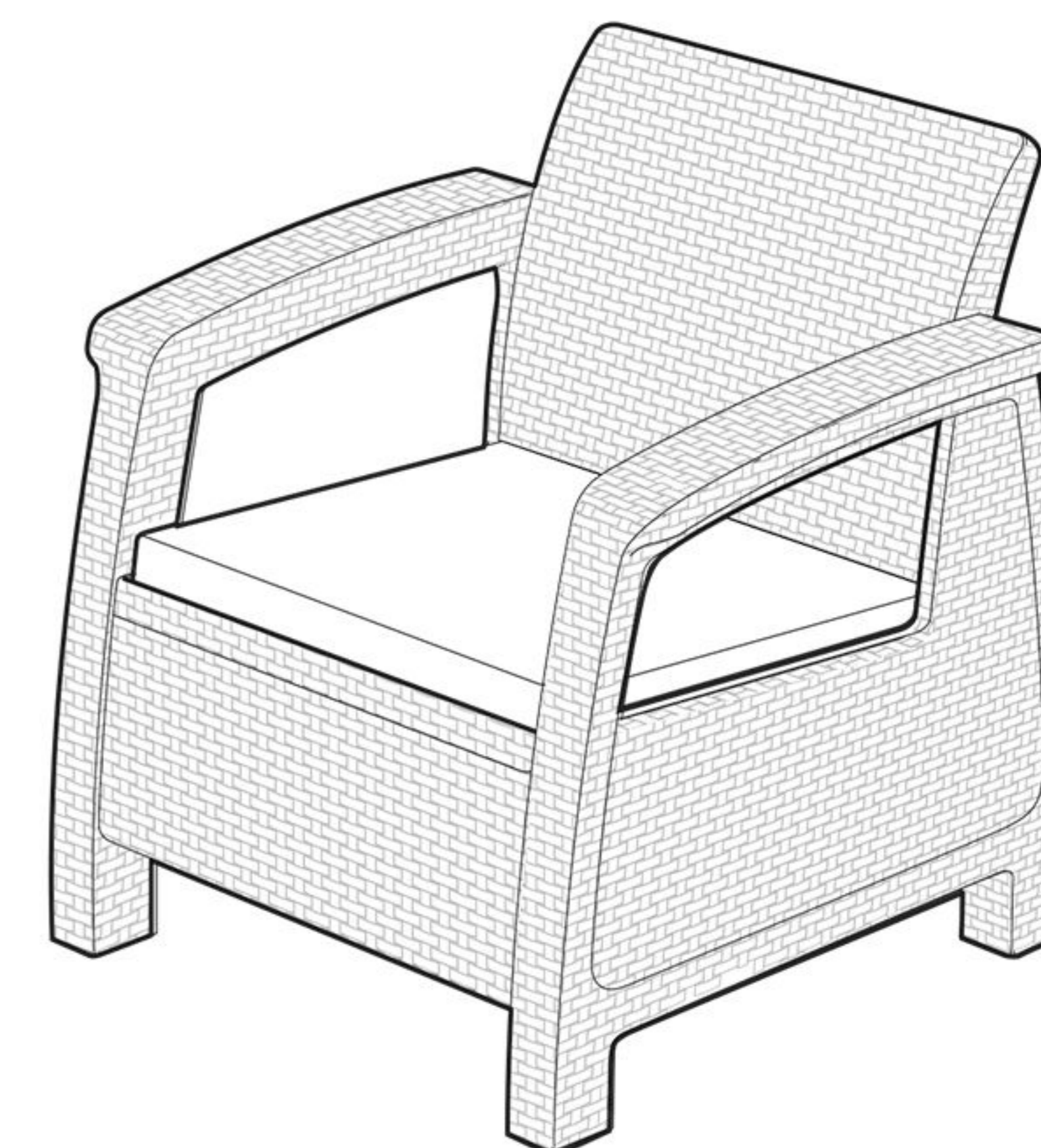
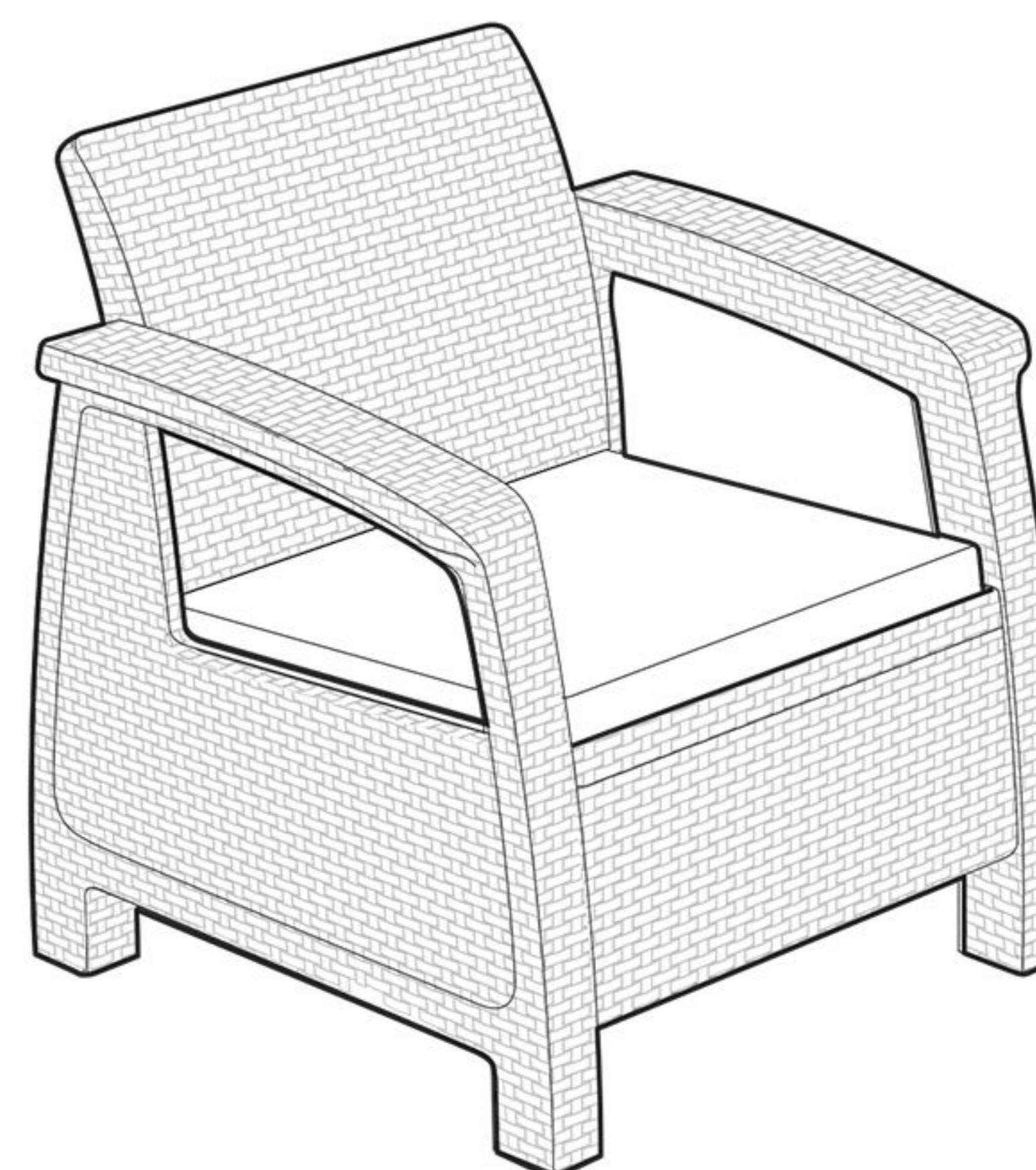
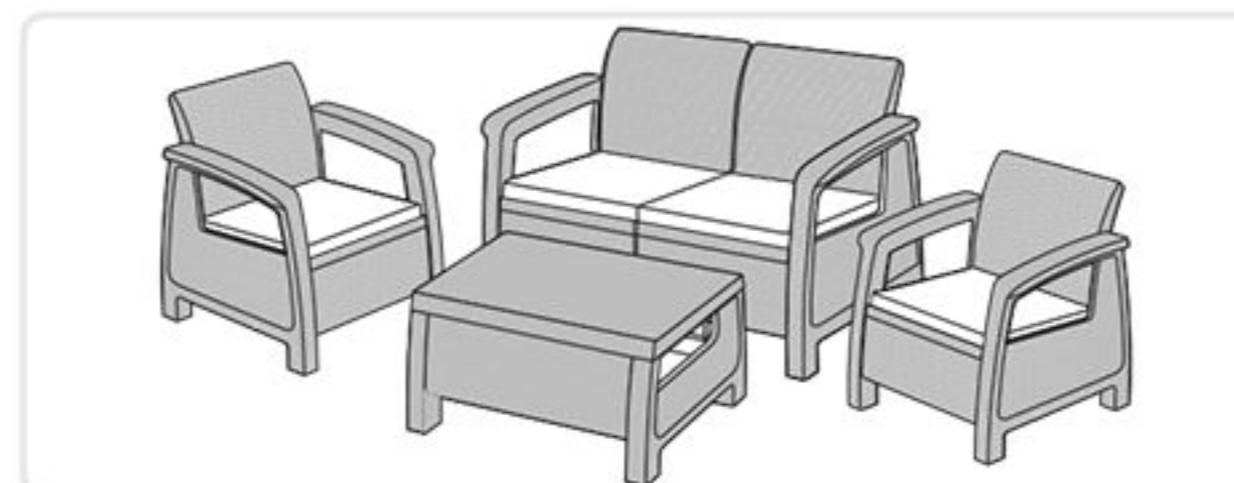
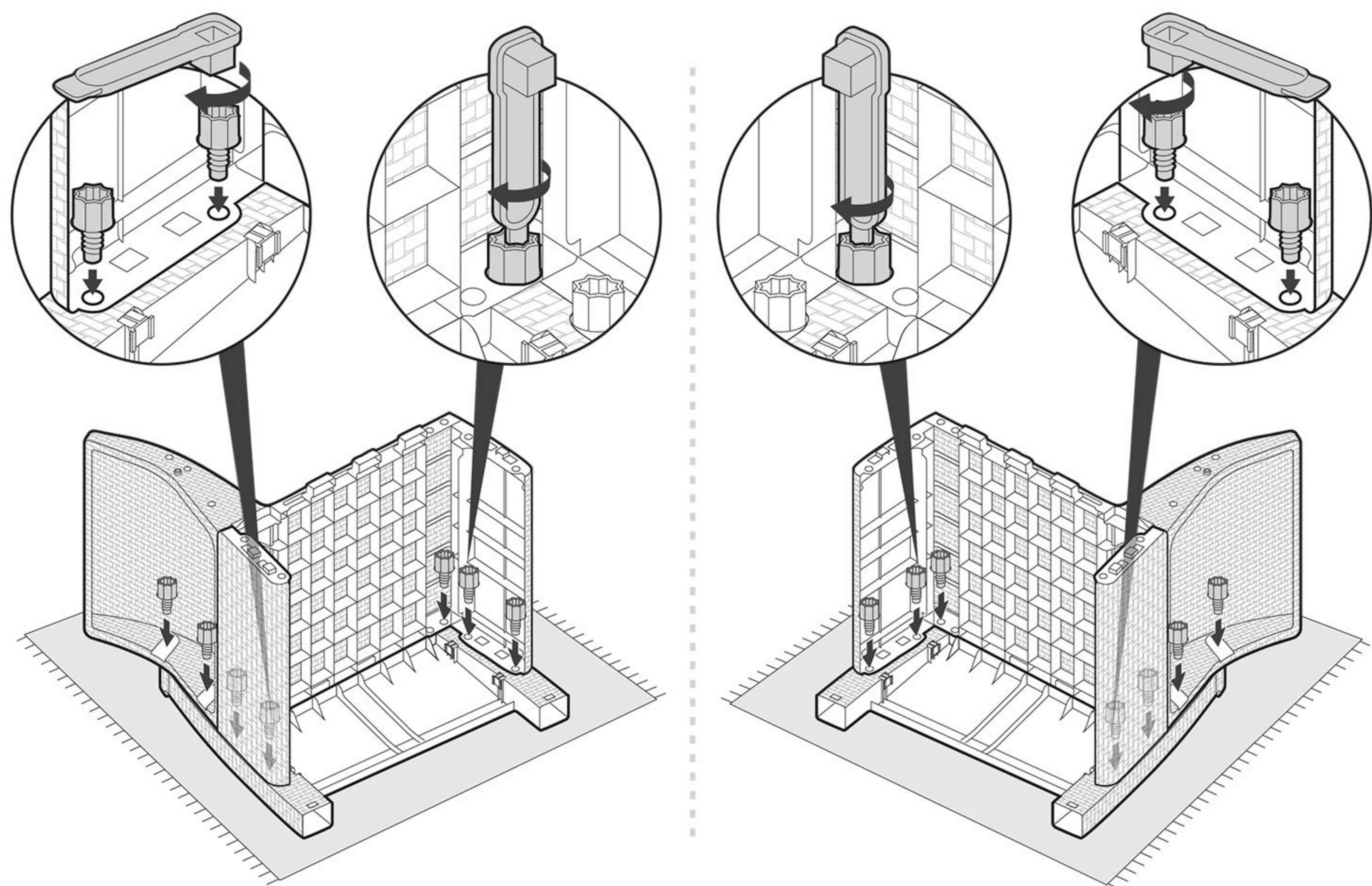
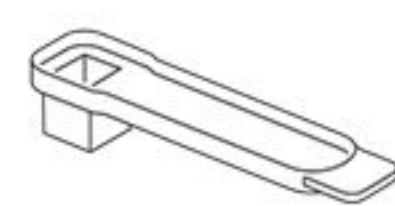
11



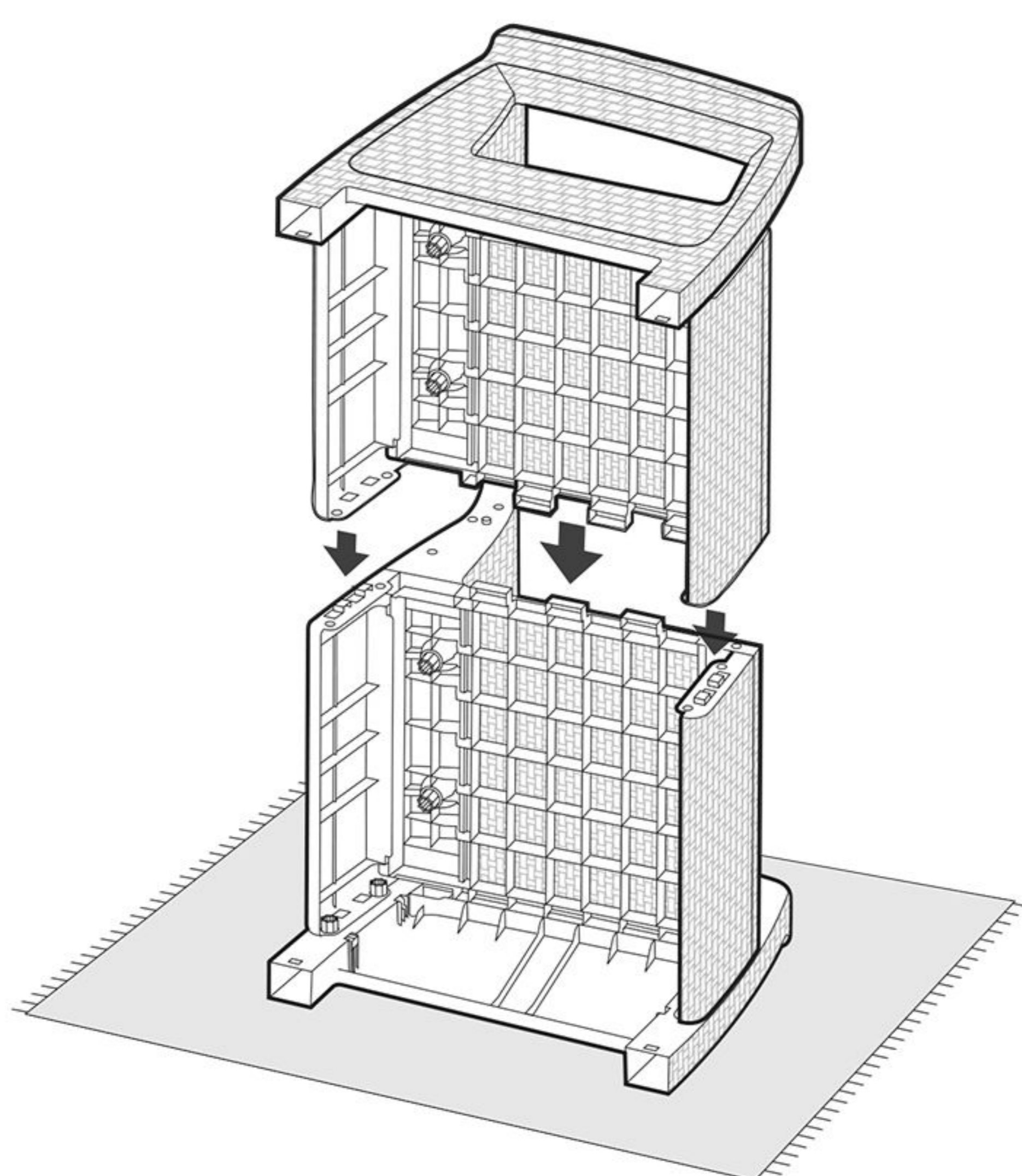
8



x14



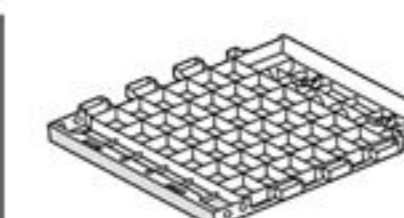
9



1

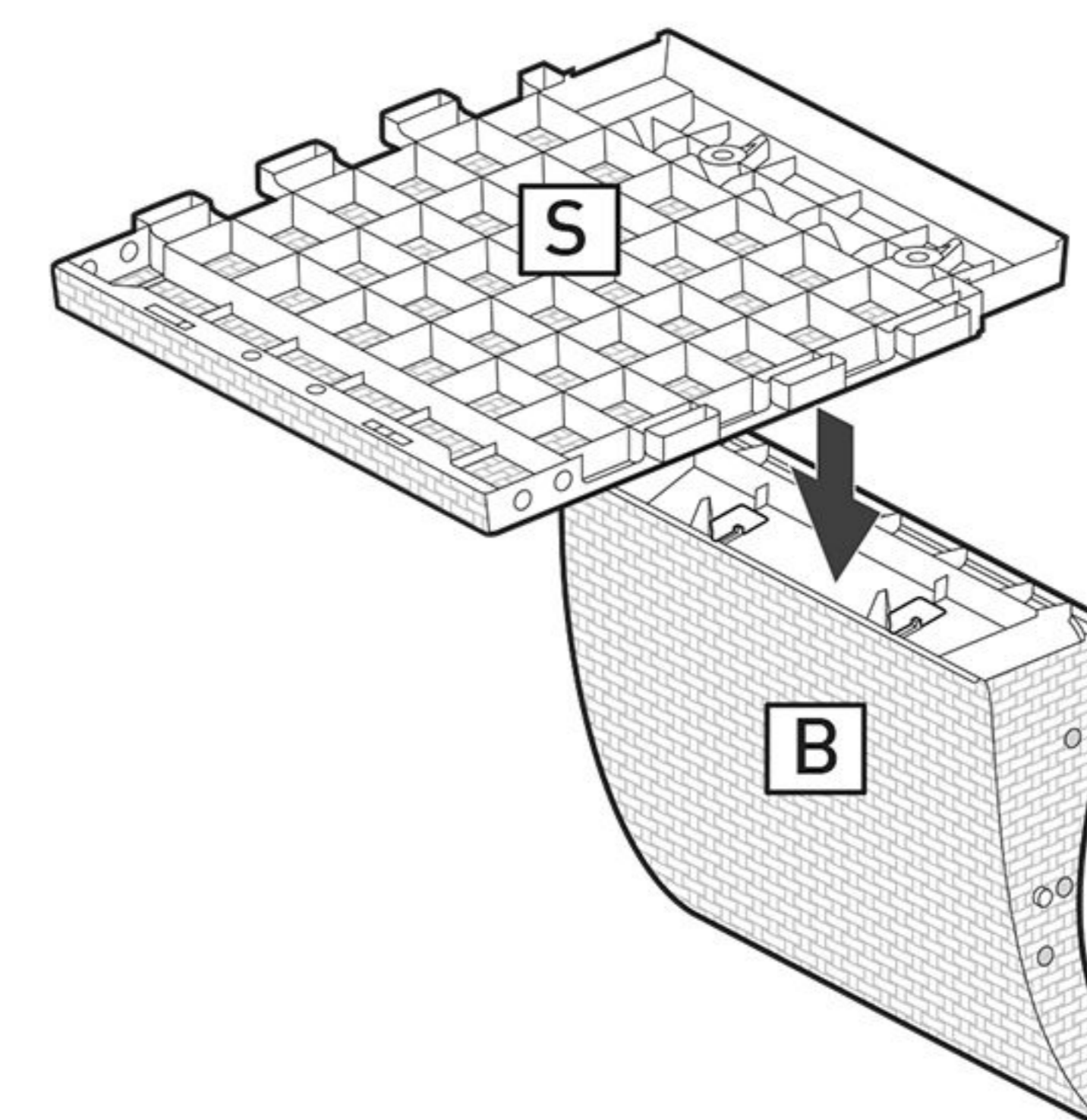


Bx1



Sx1

X2



2



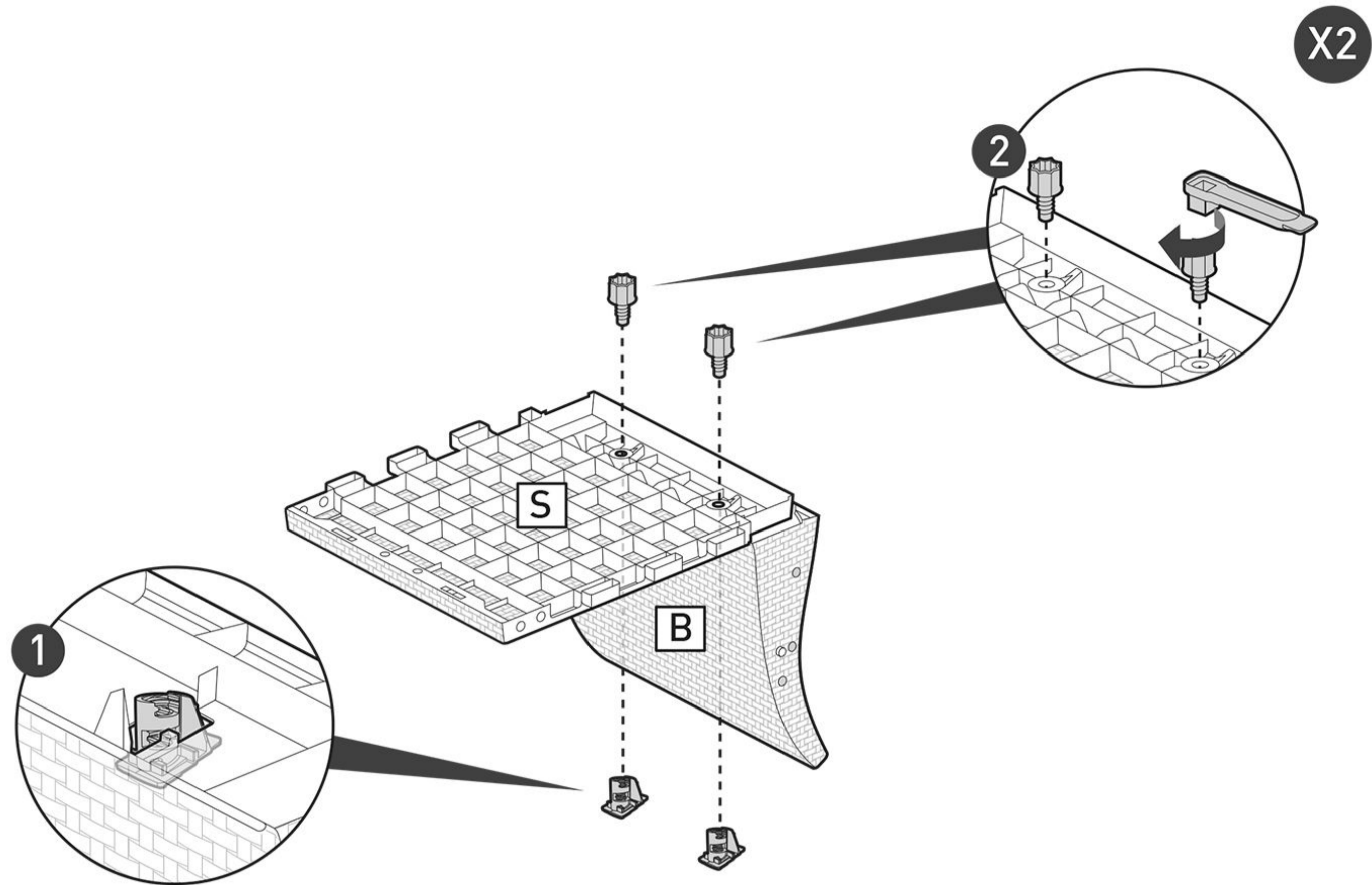
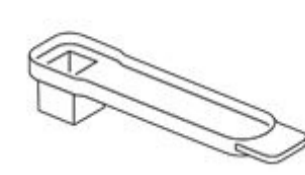
LBNx1



RBNx1



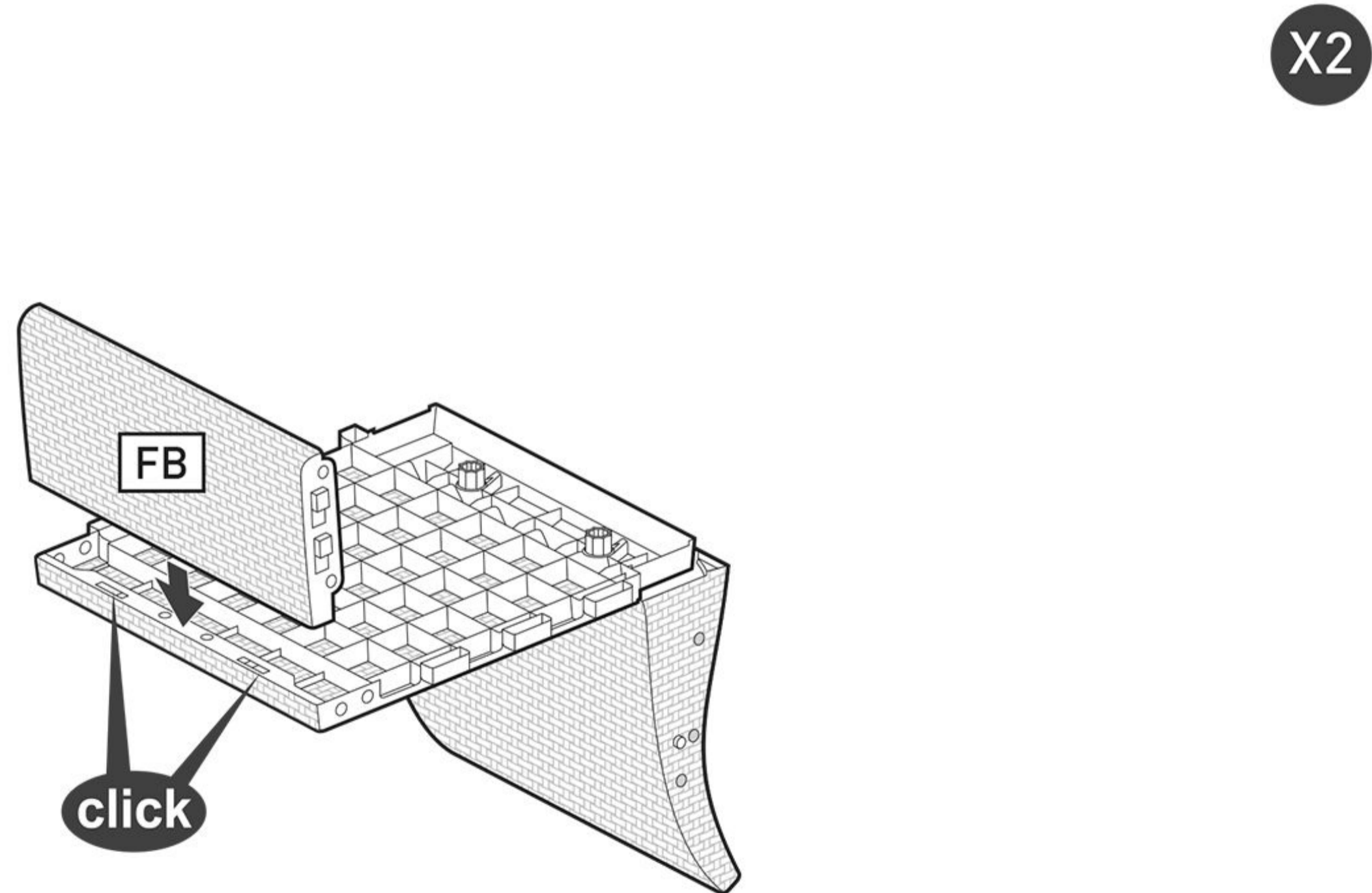
x2



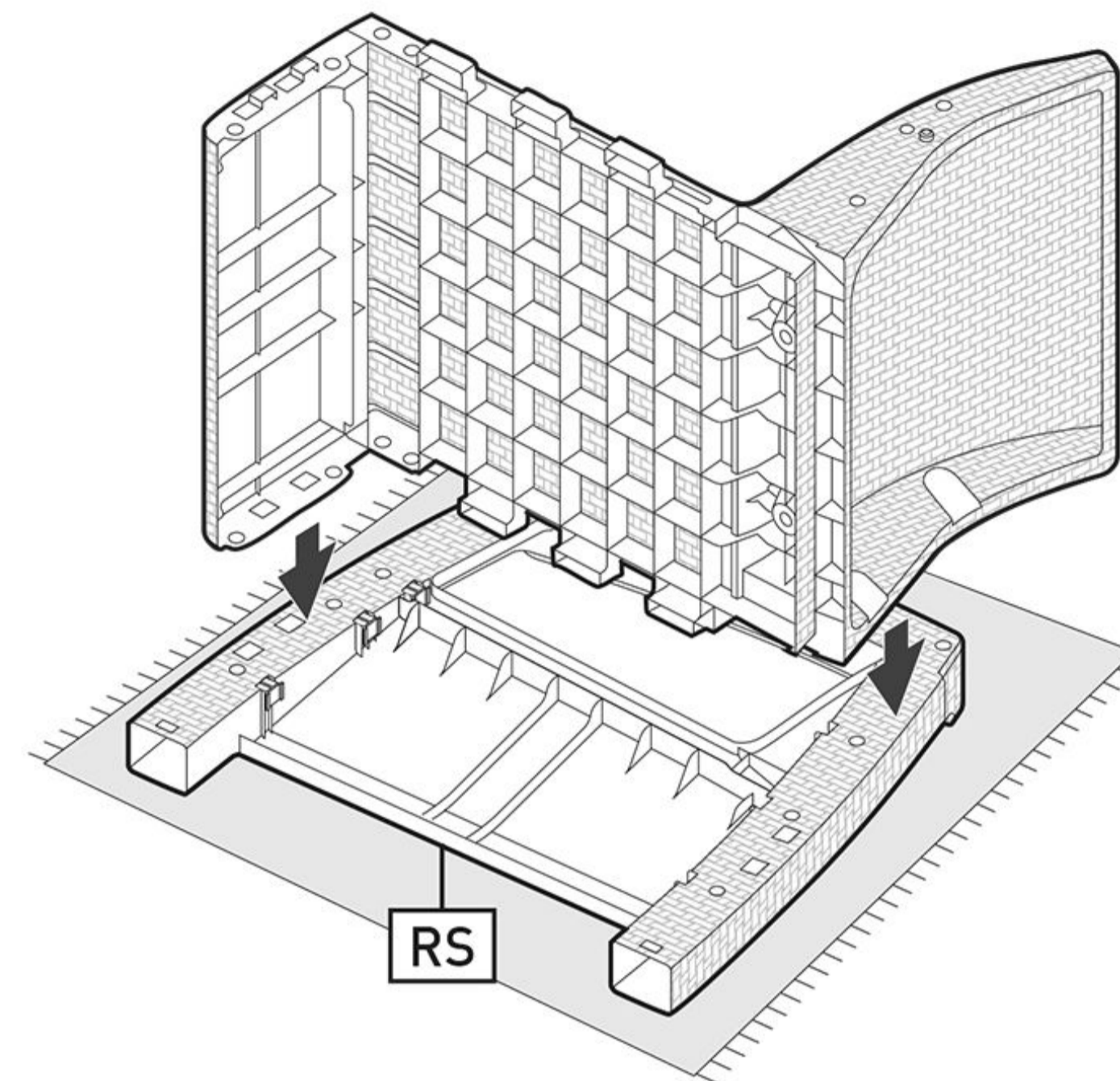
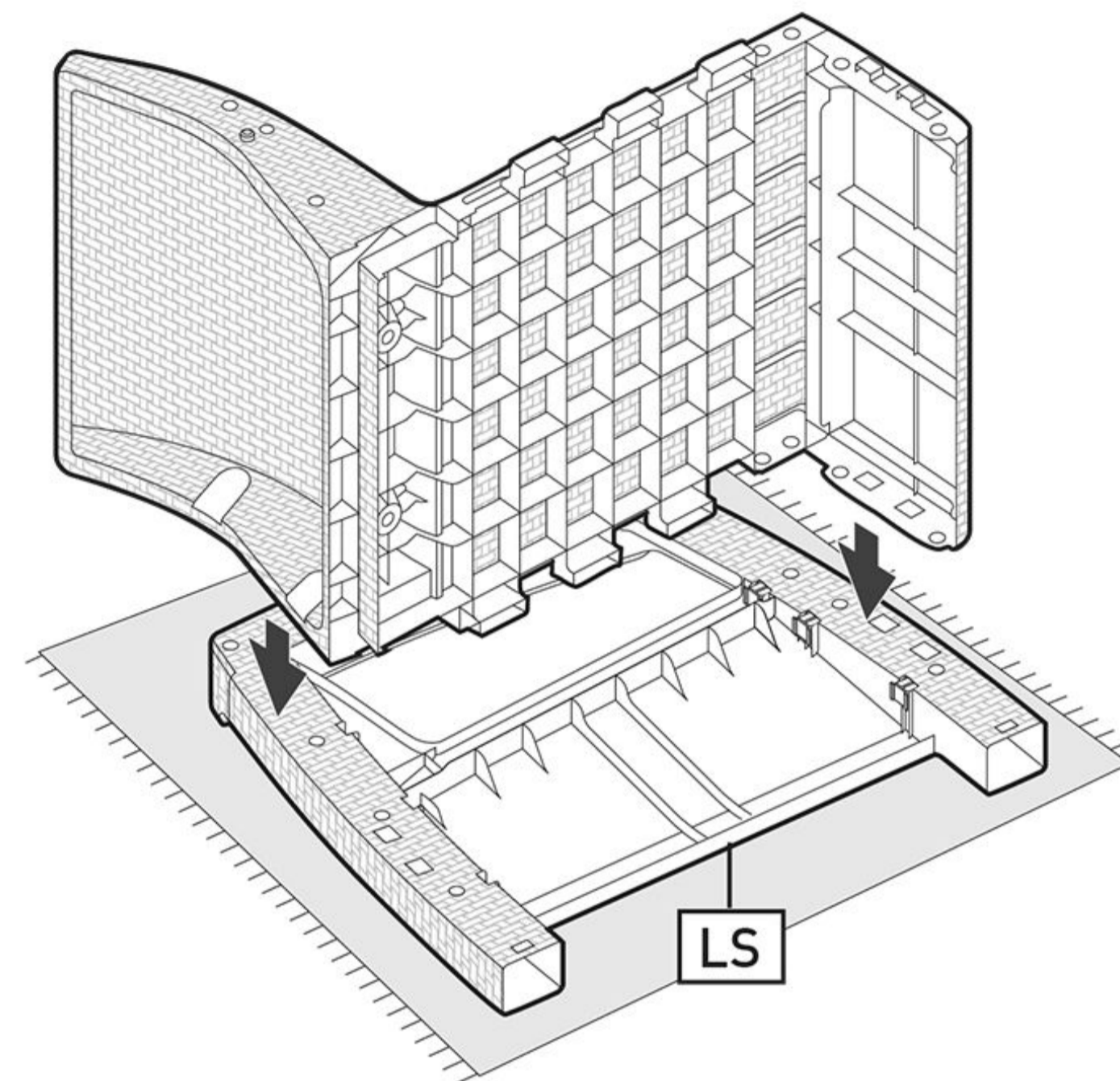
3



FBx1



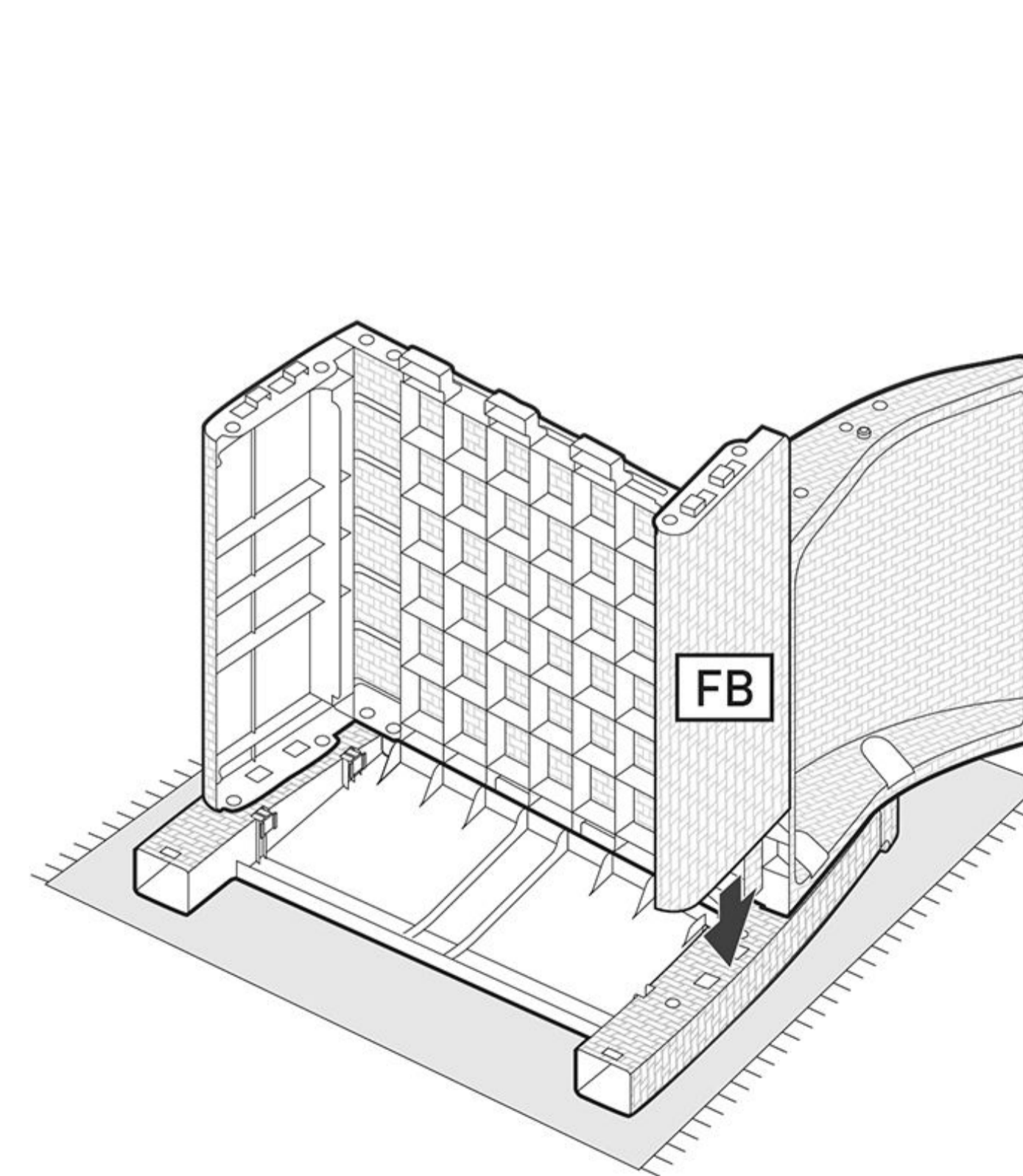
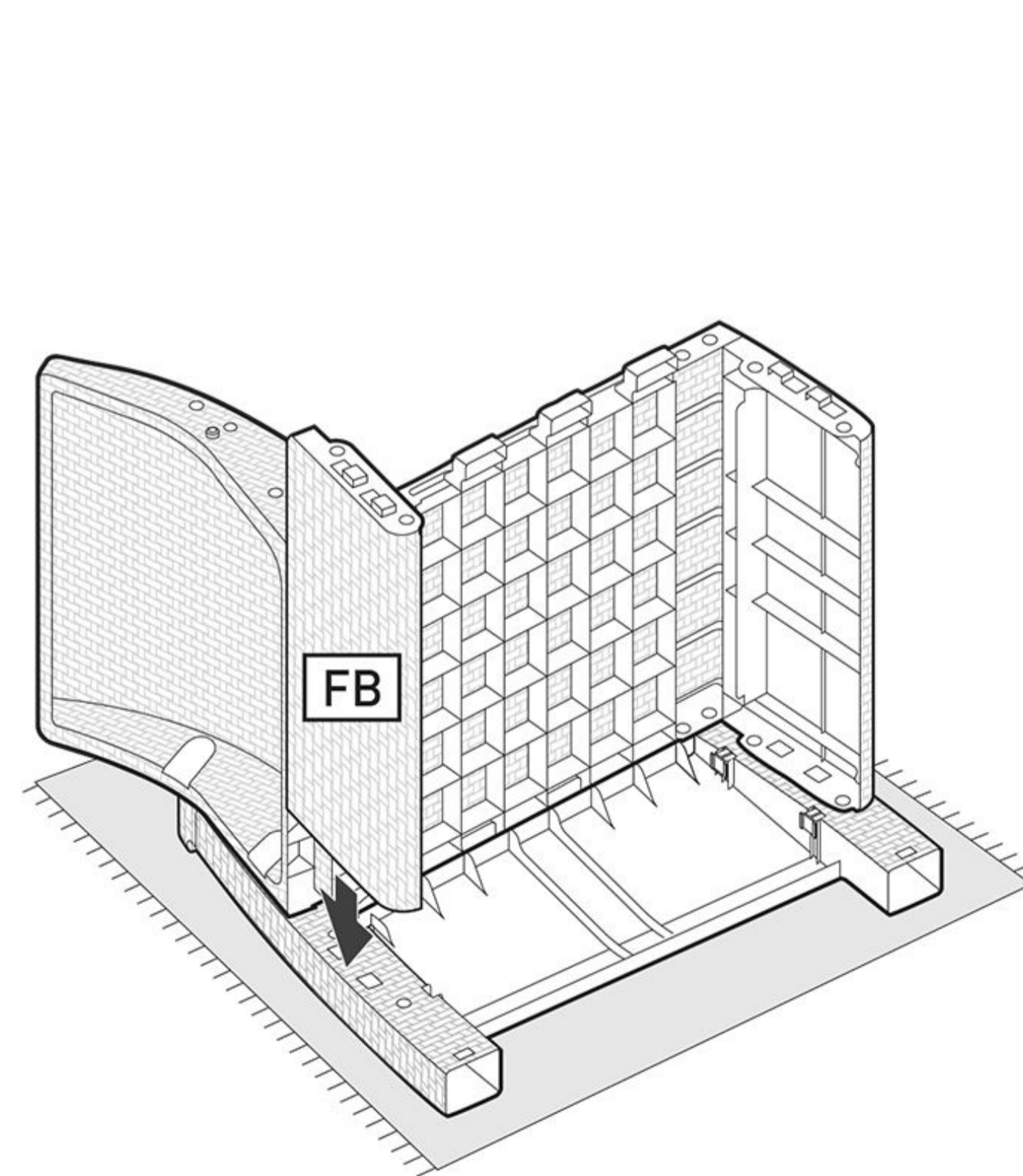
6



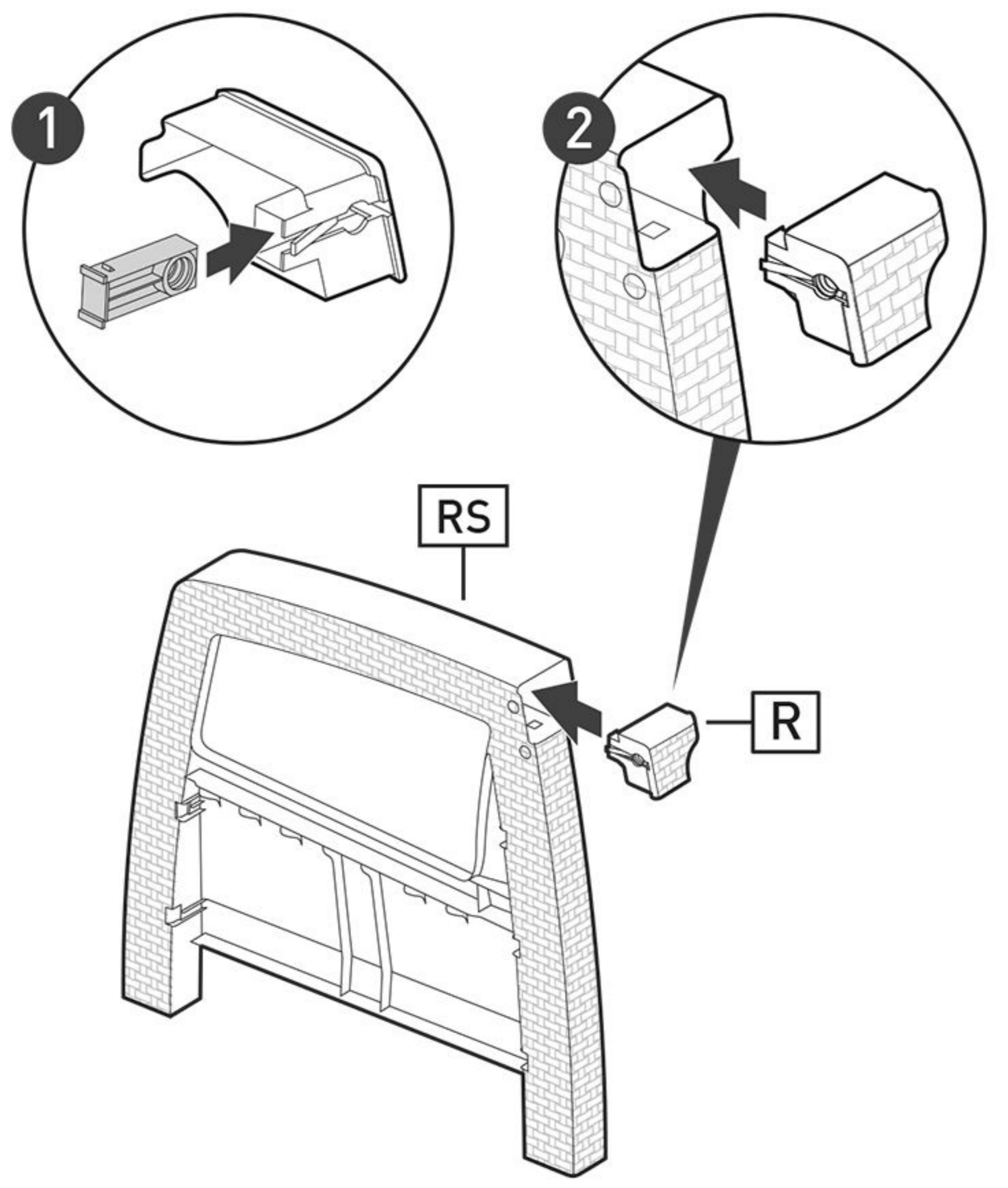
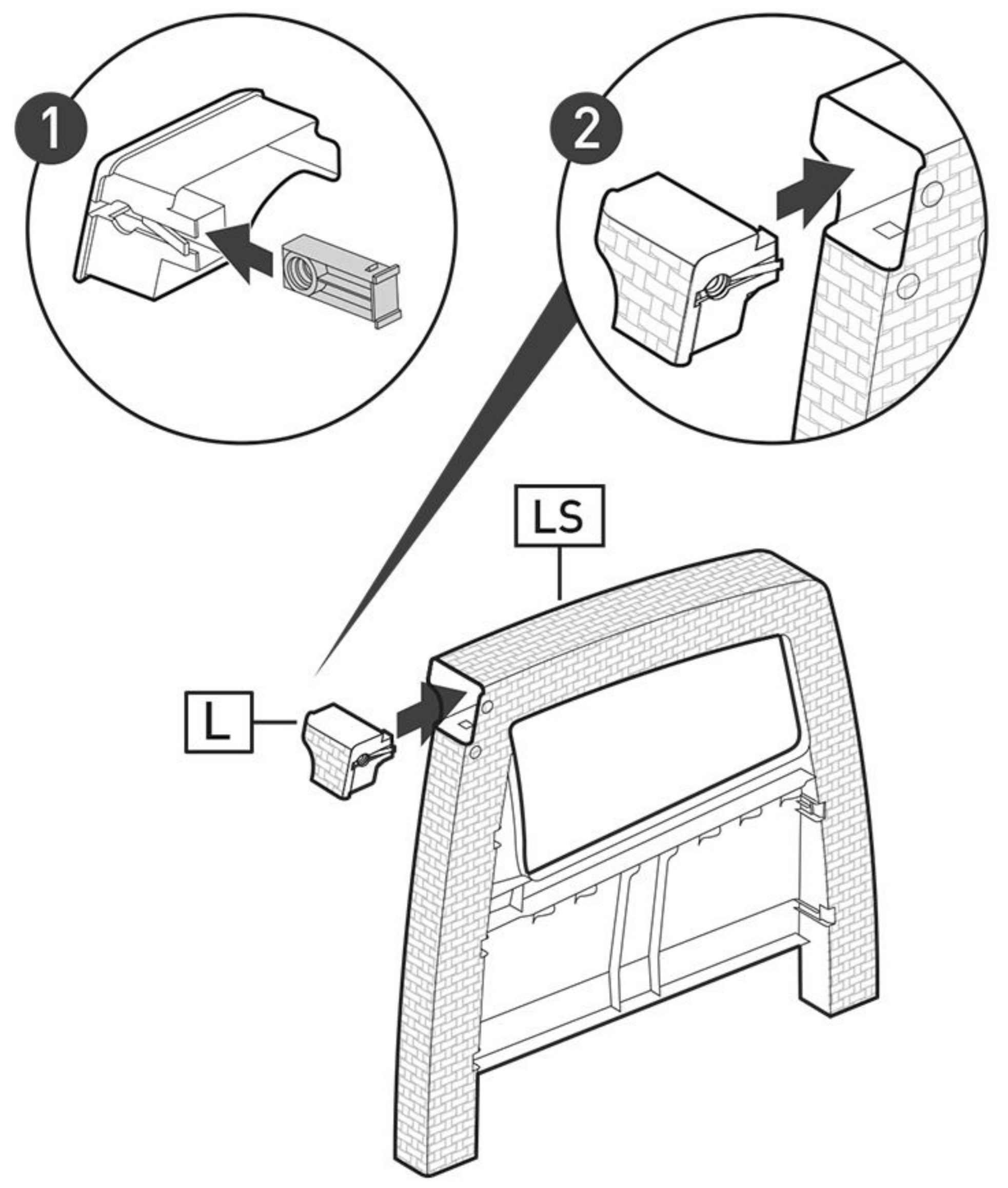
7



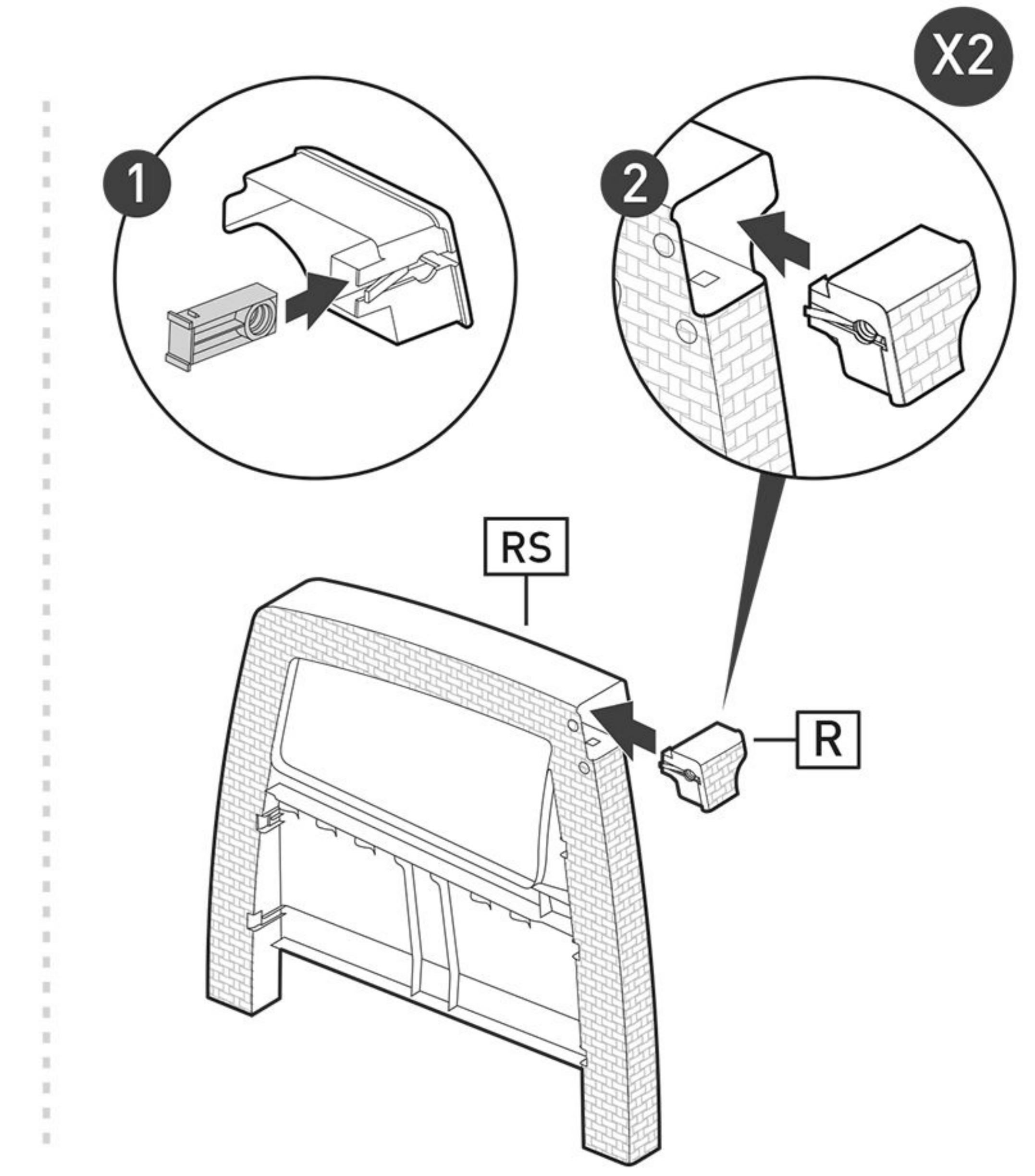
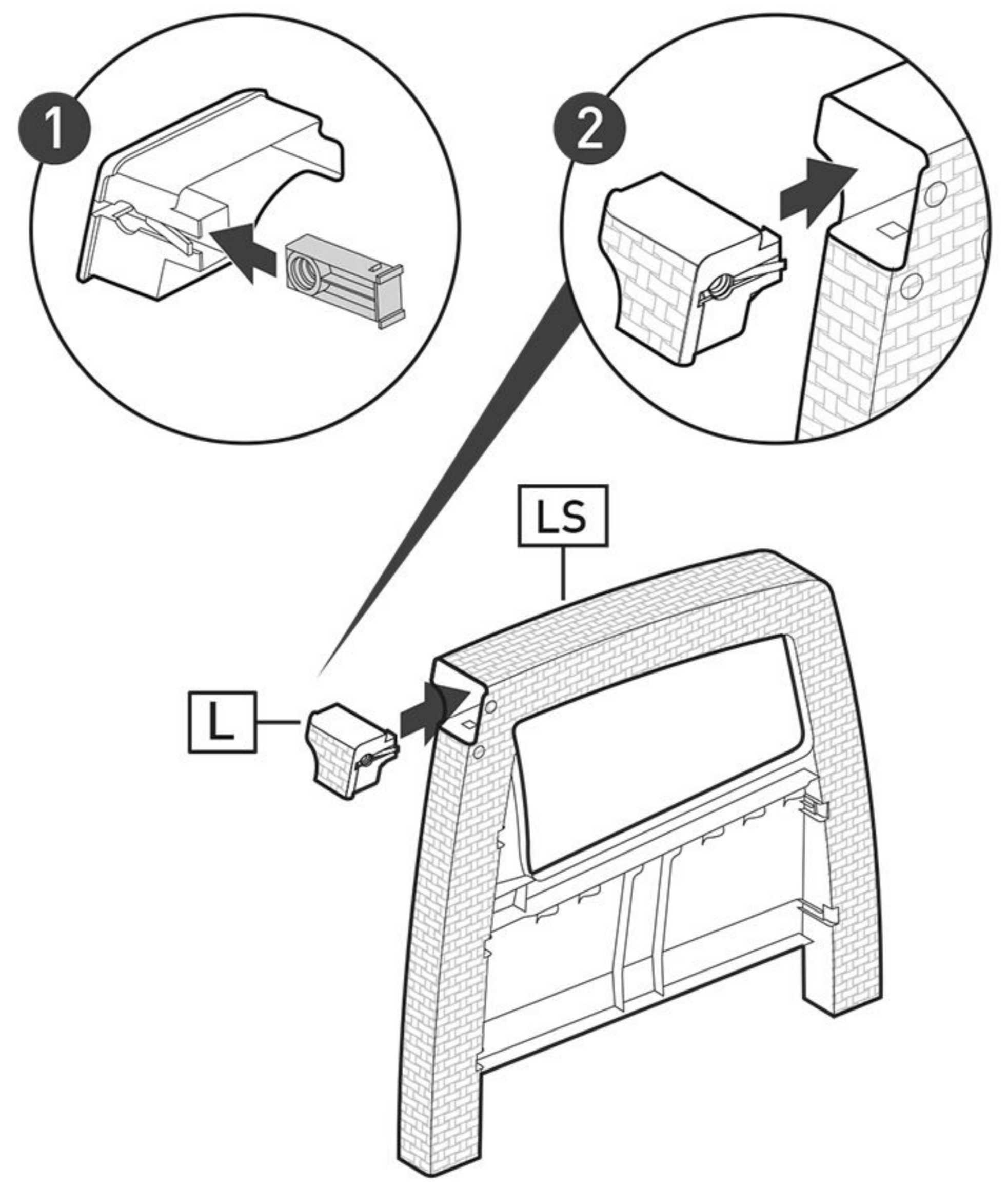
FBx2



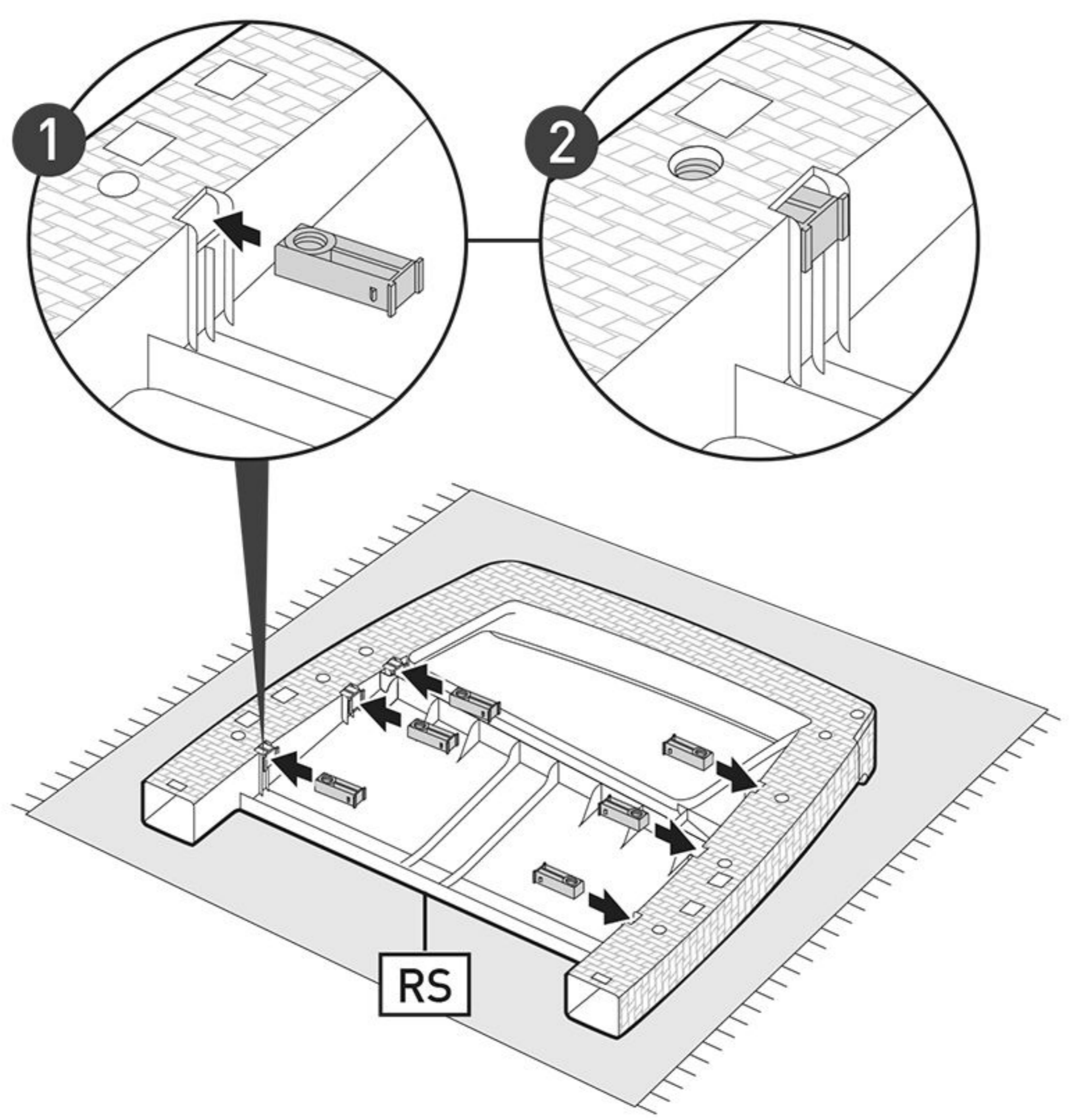
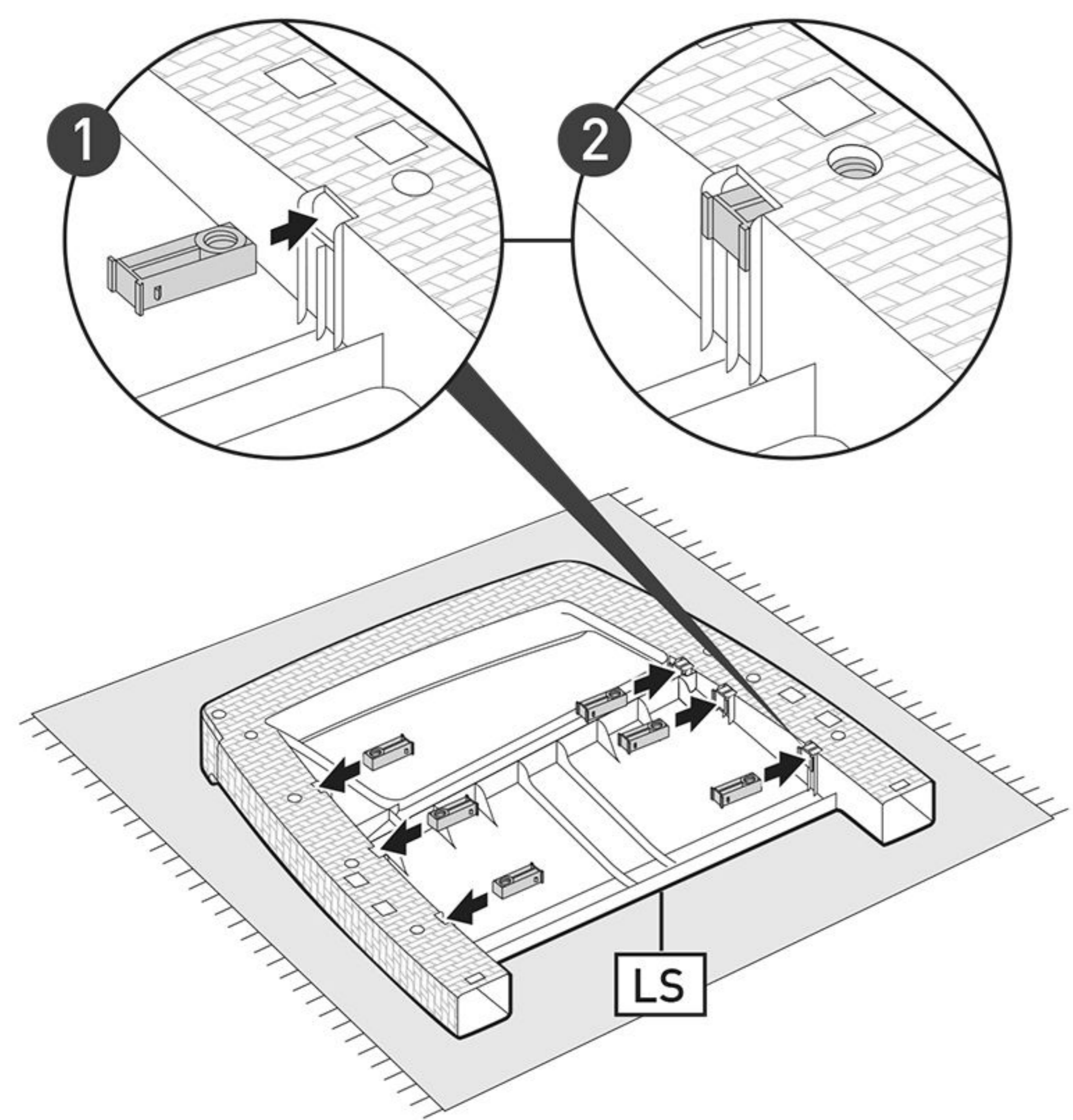
- 4
- LSx1
 - RSx1
 - Lx1
 - Rx1
 - x2



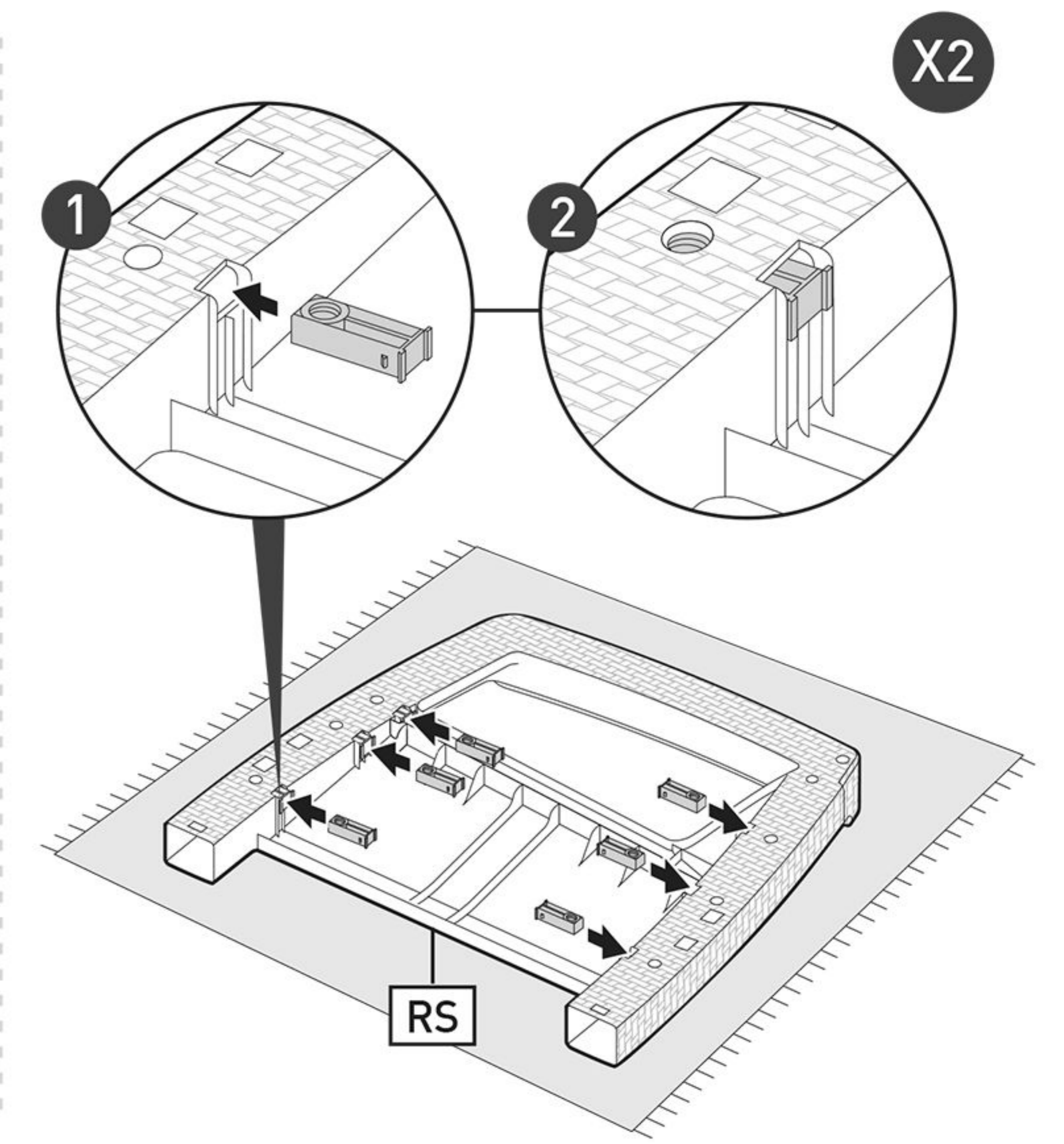
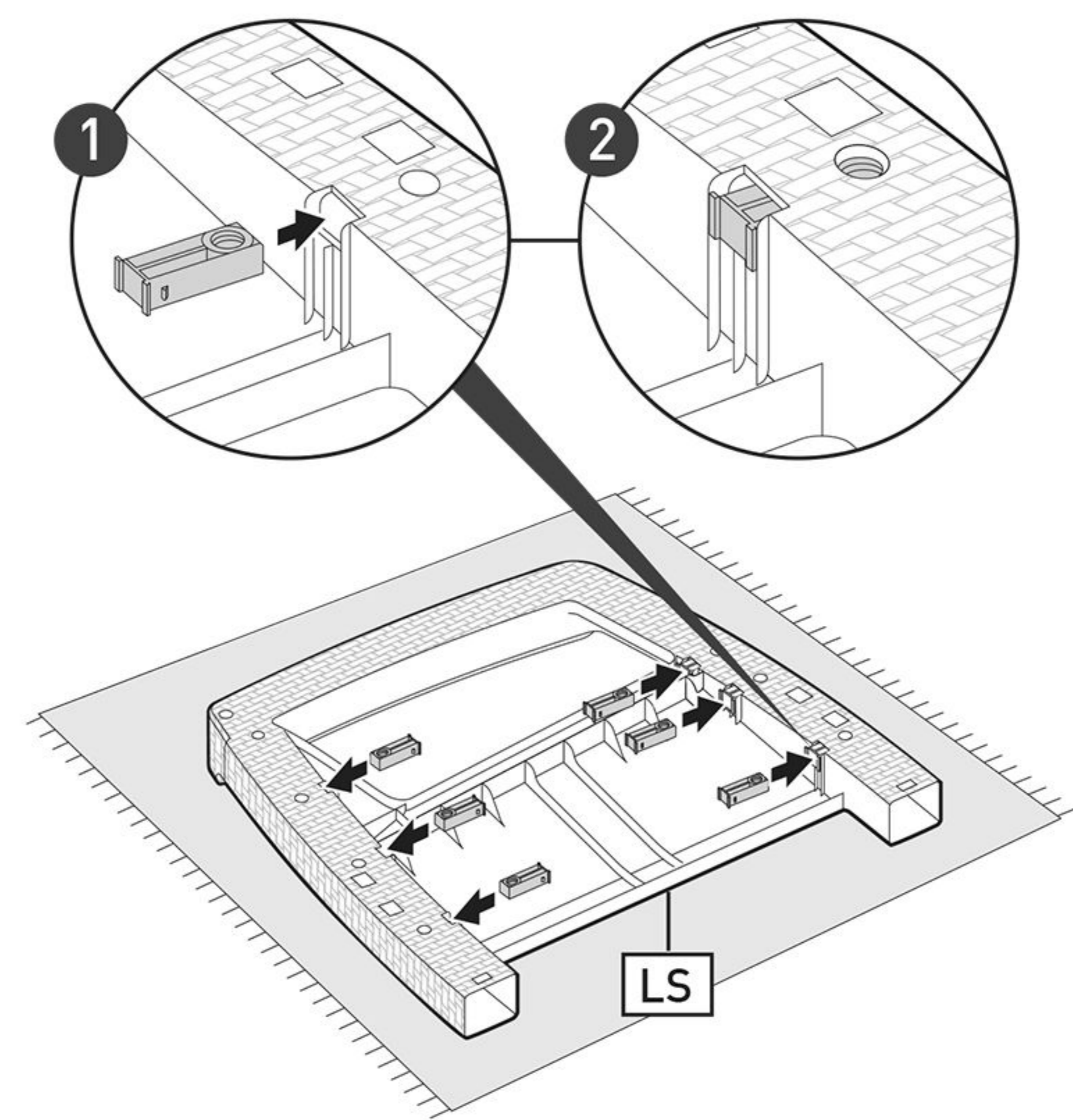
- 4
- LSx1
 - RSx1
 - Lx1
 - Rx1
 - x2



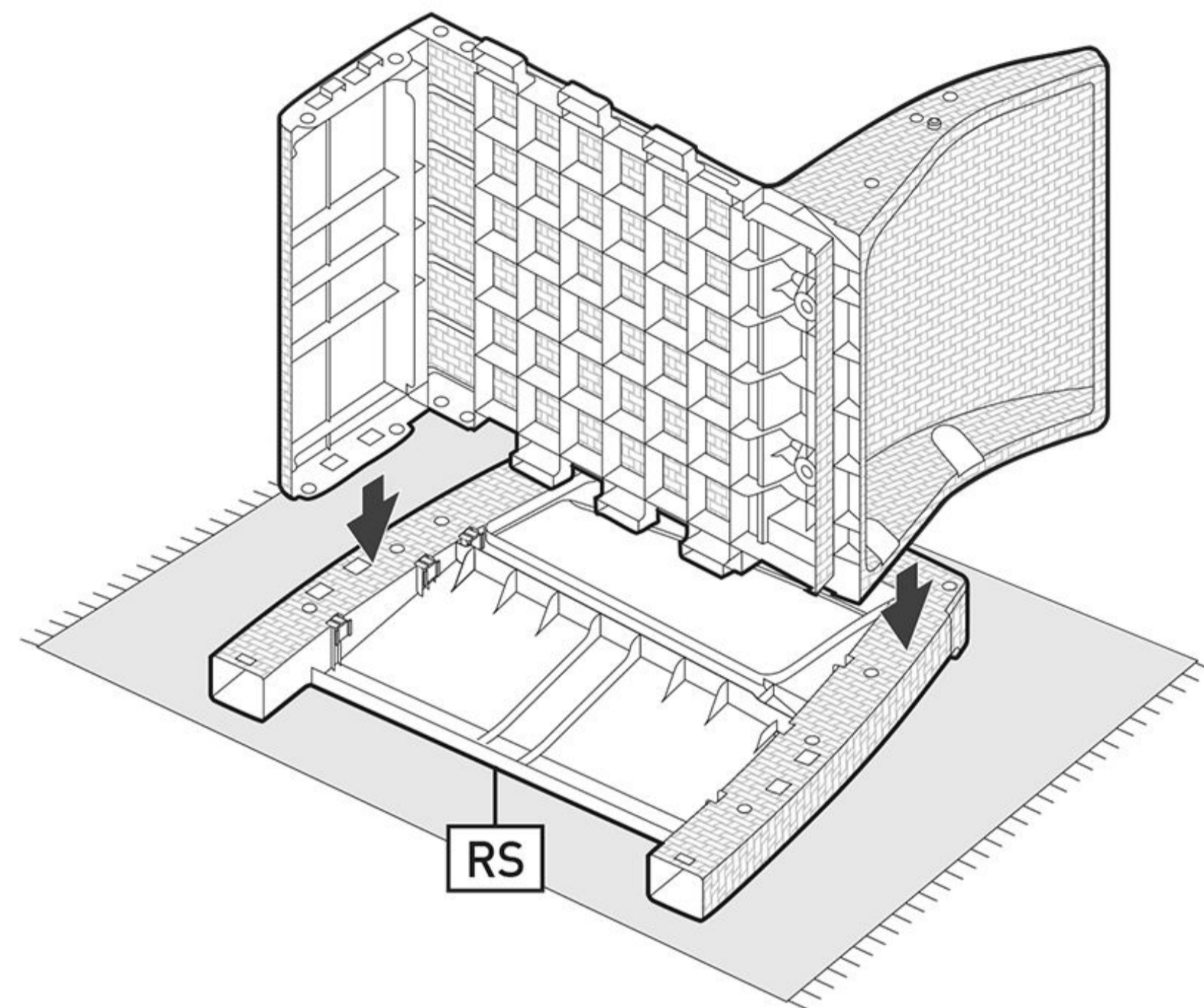
- 5
- x12



- 5
- x12

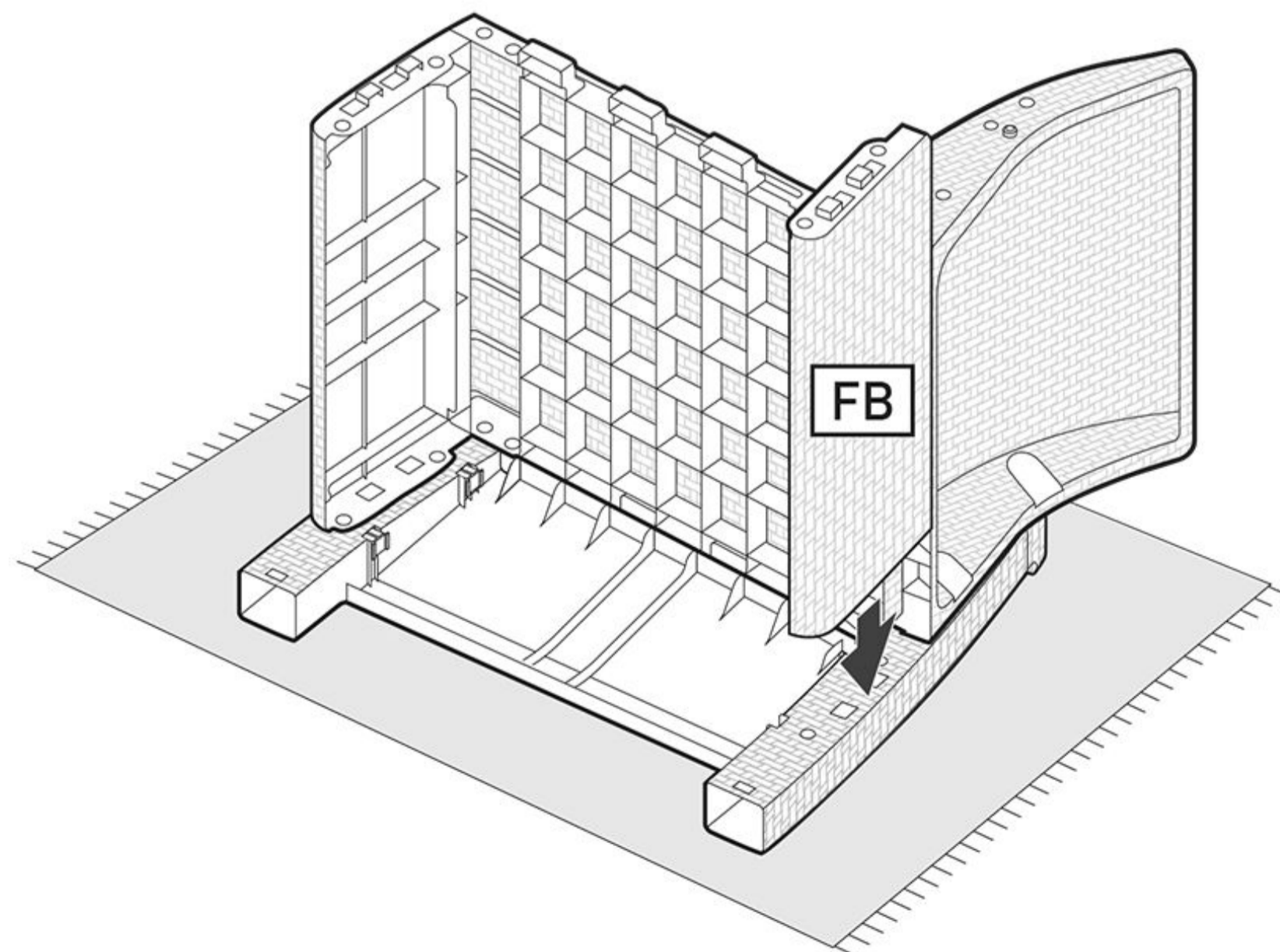


6



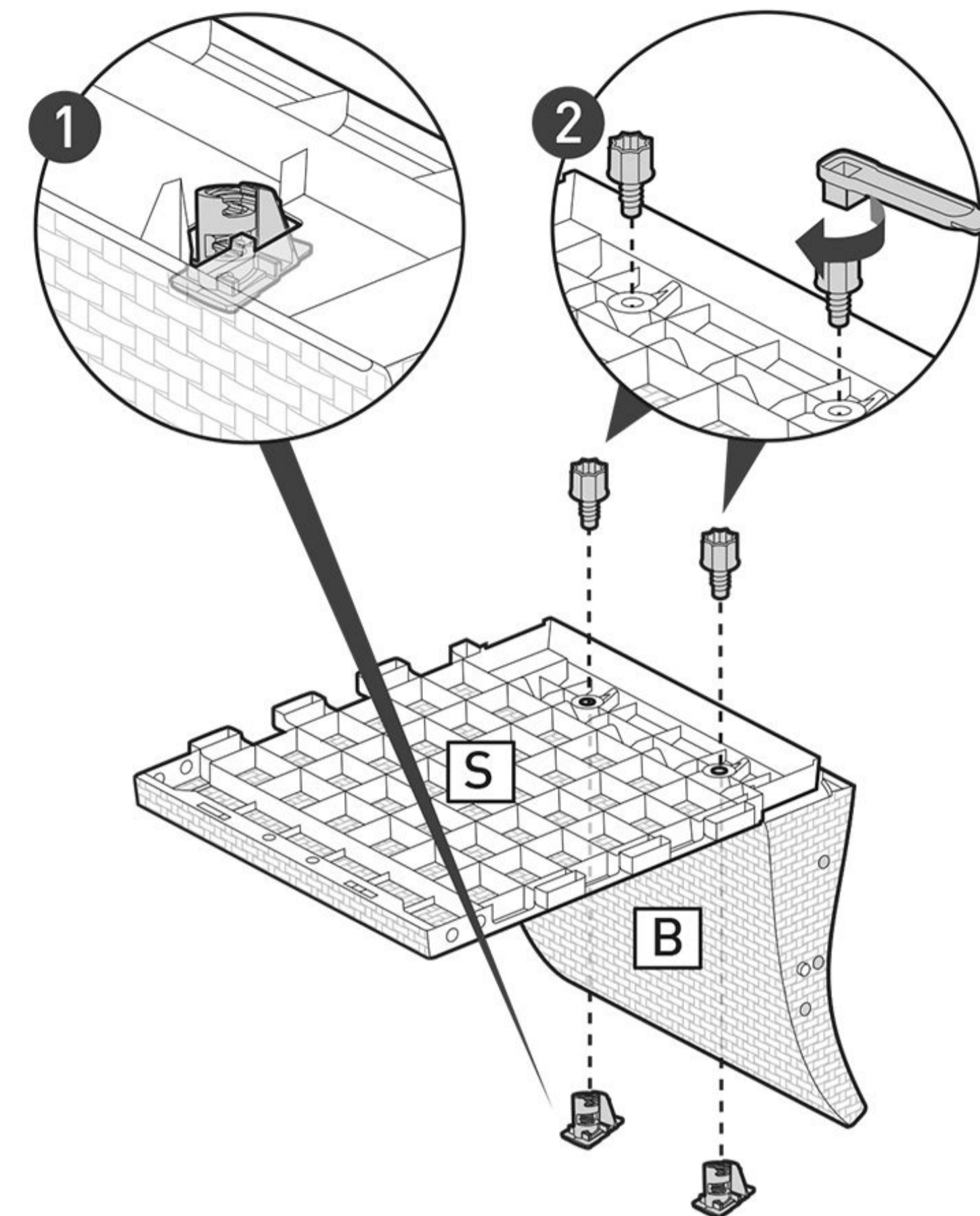
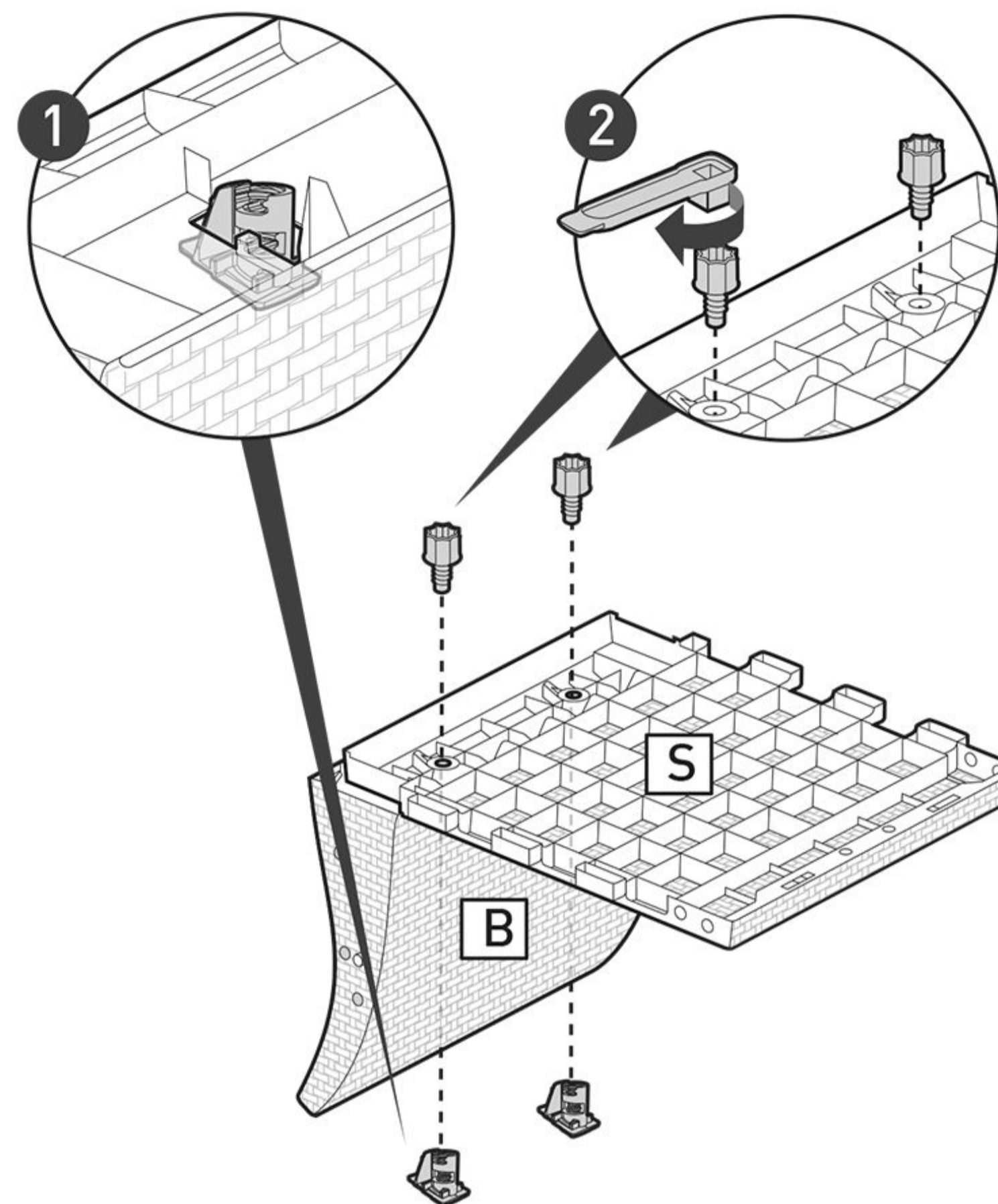
X2

7

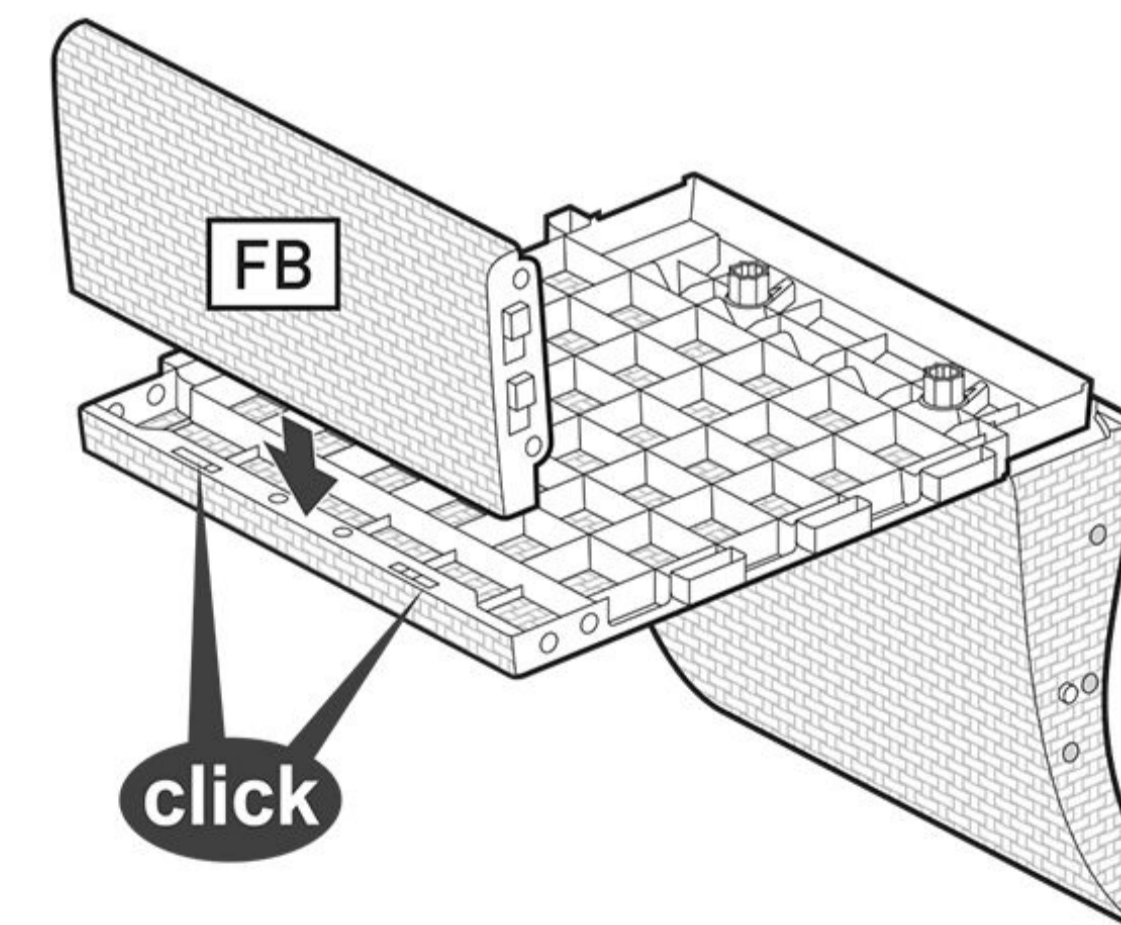
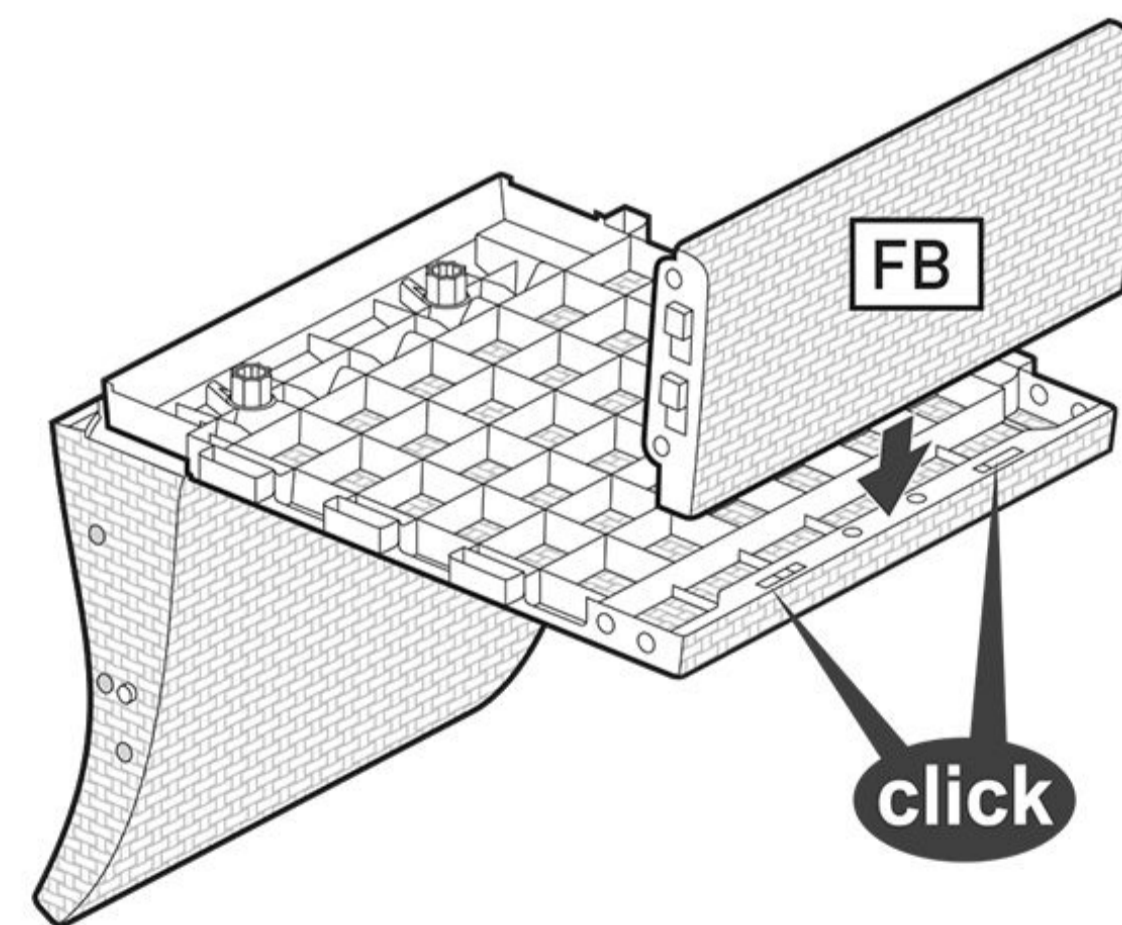


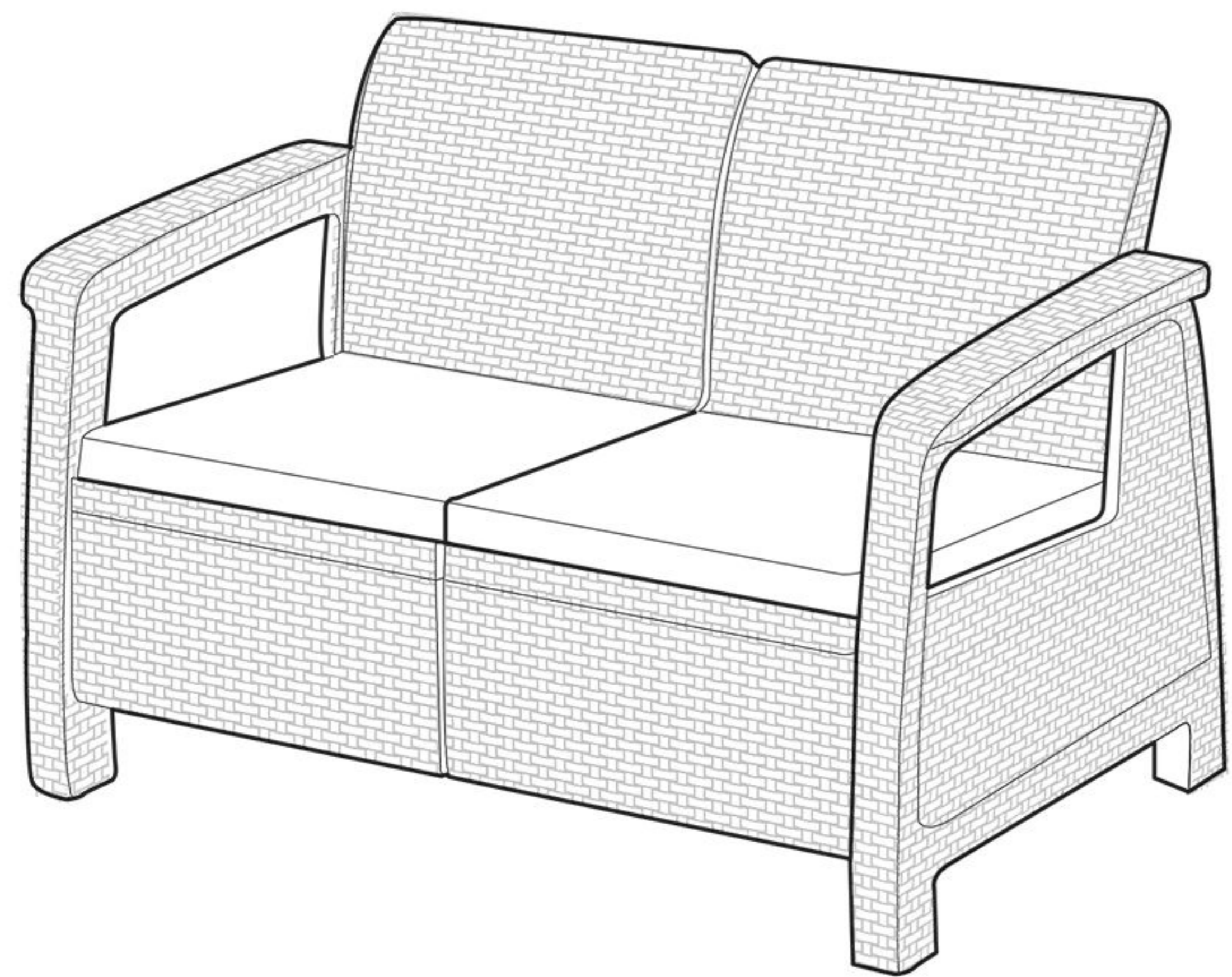
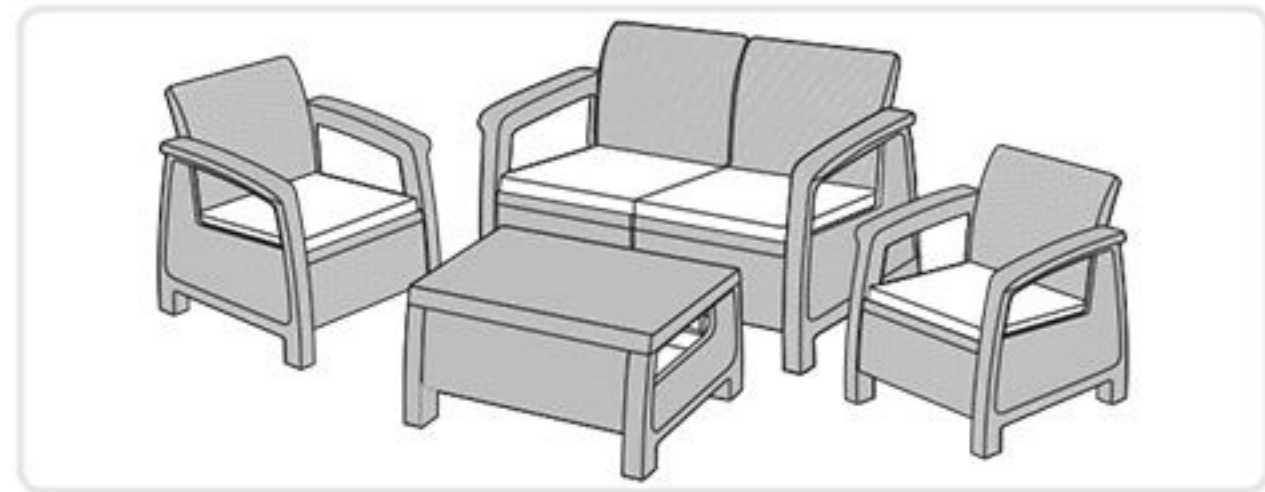
X2

2

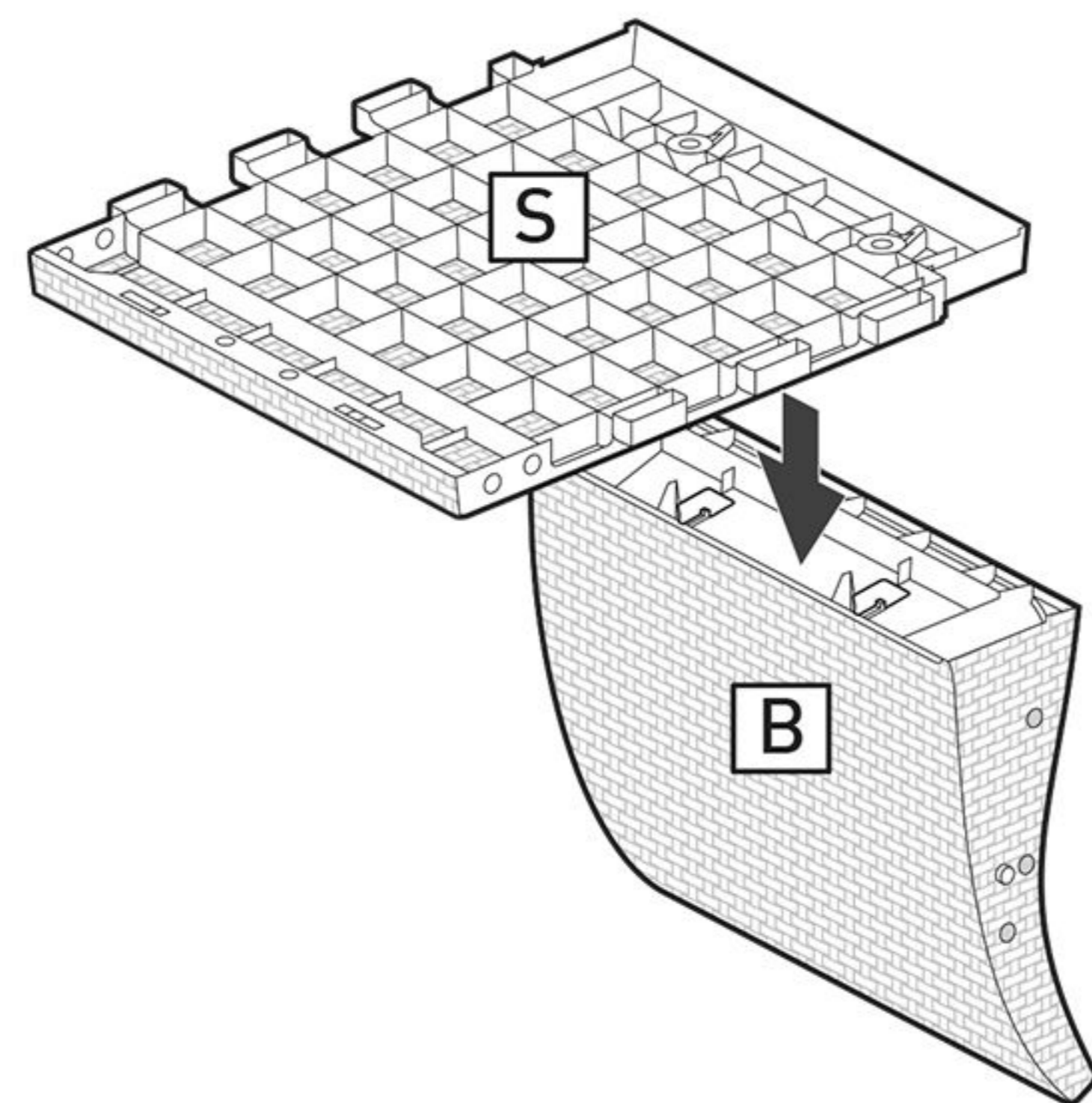
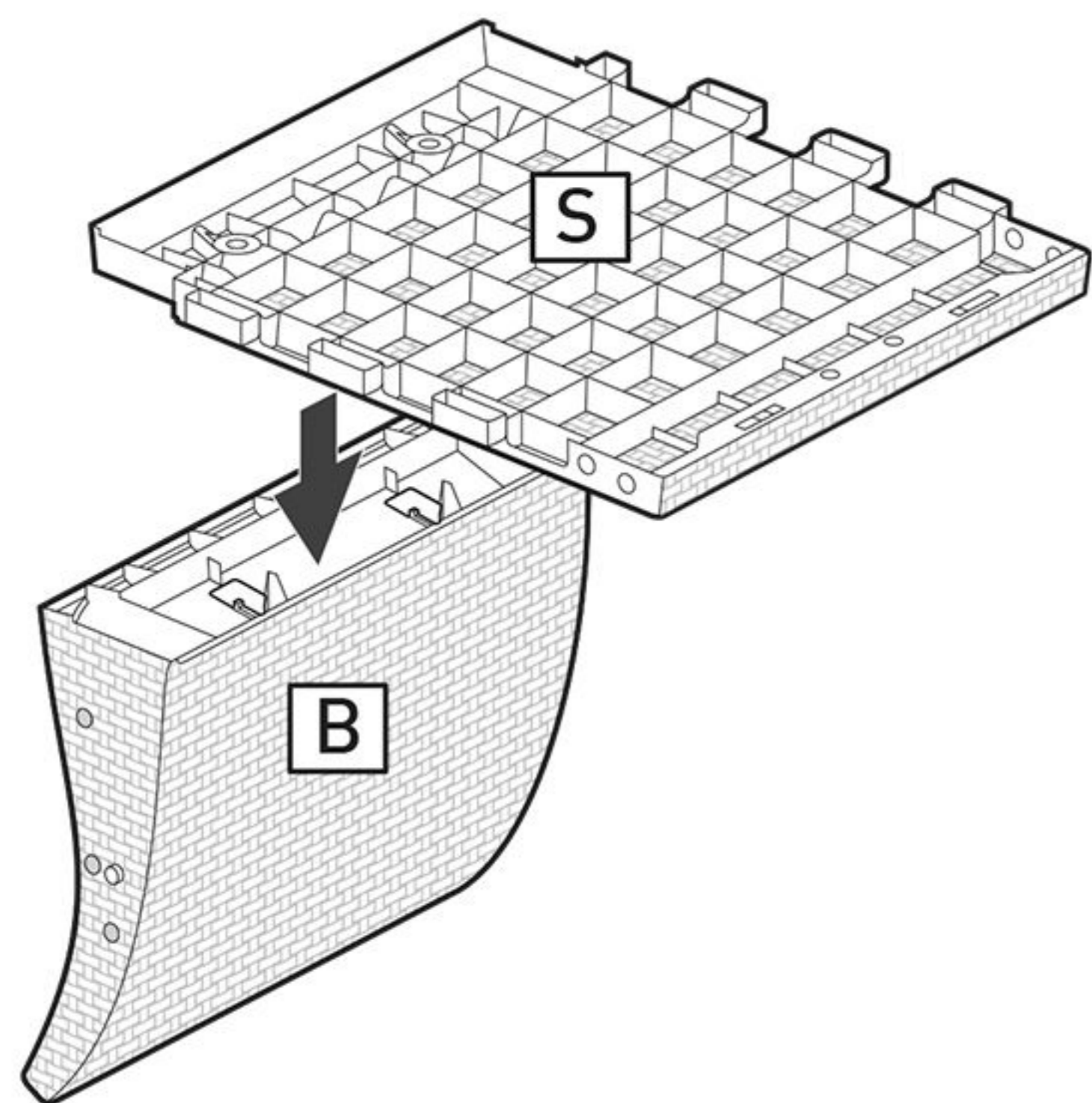


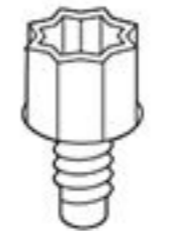
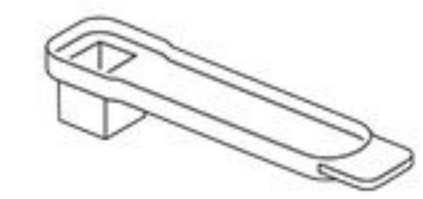
3

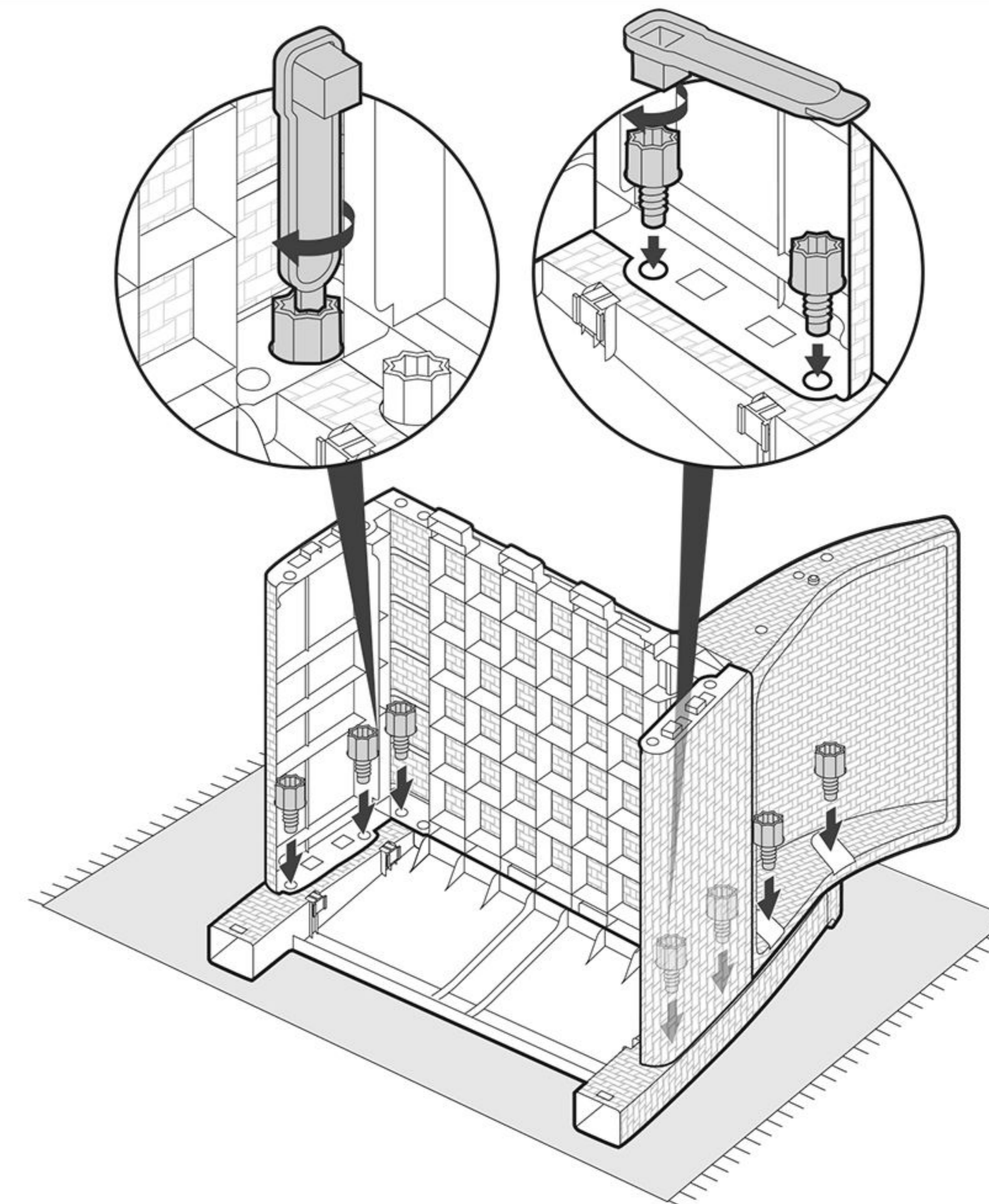




1 |  Bx2 |  Sx2

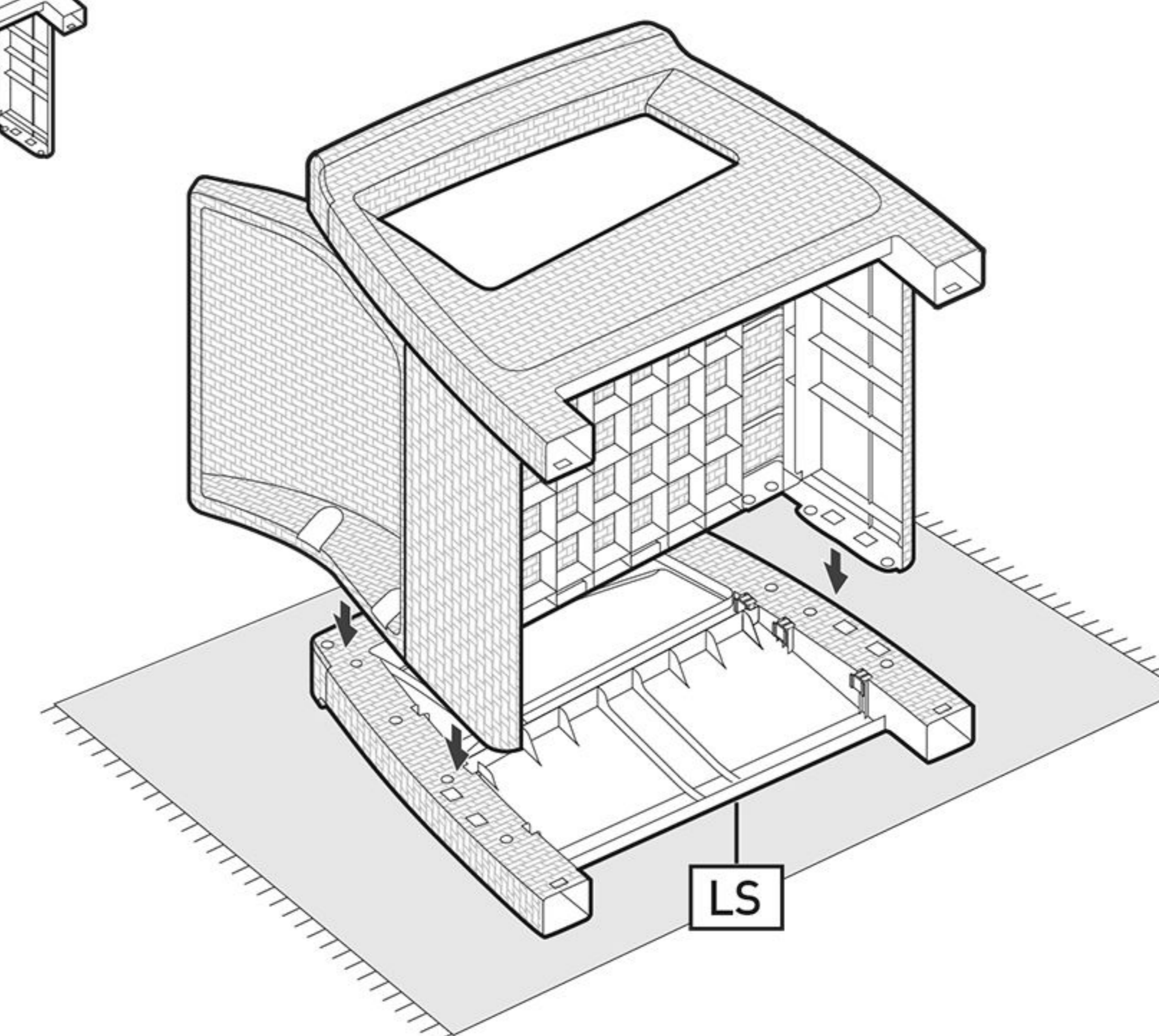
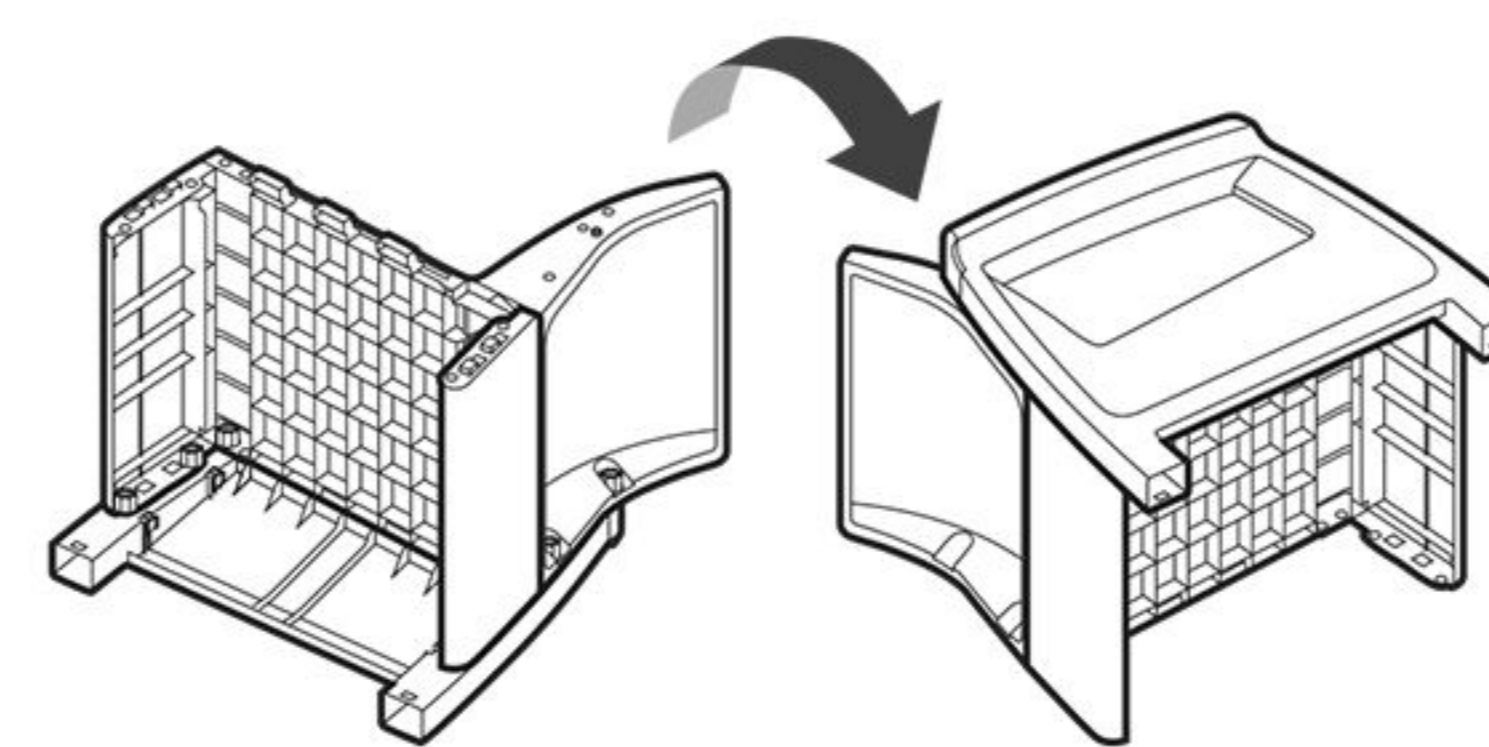


8 |  x7 | 



X2

9

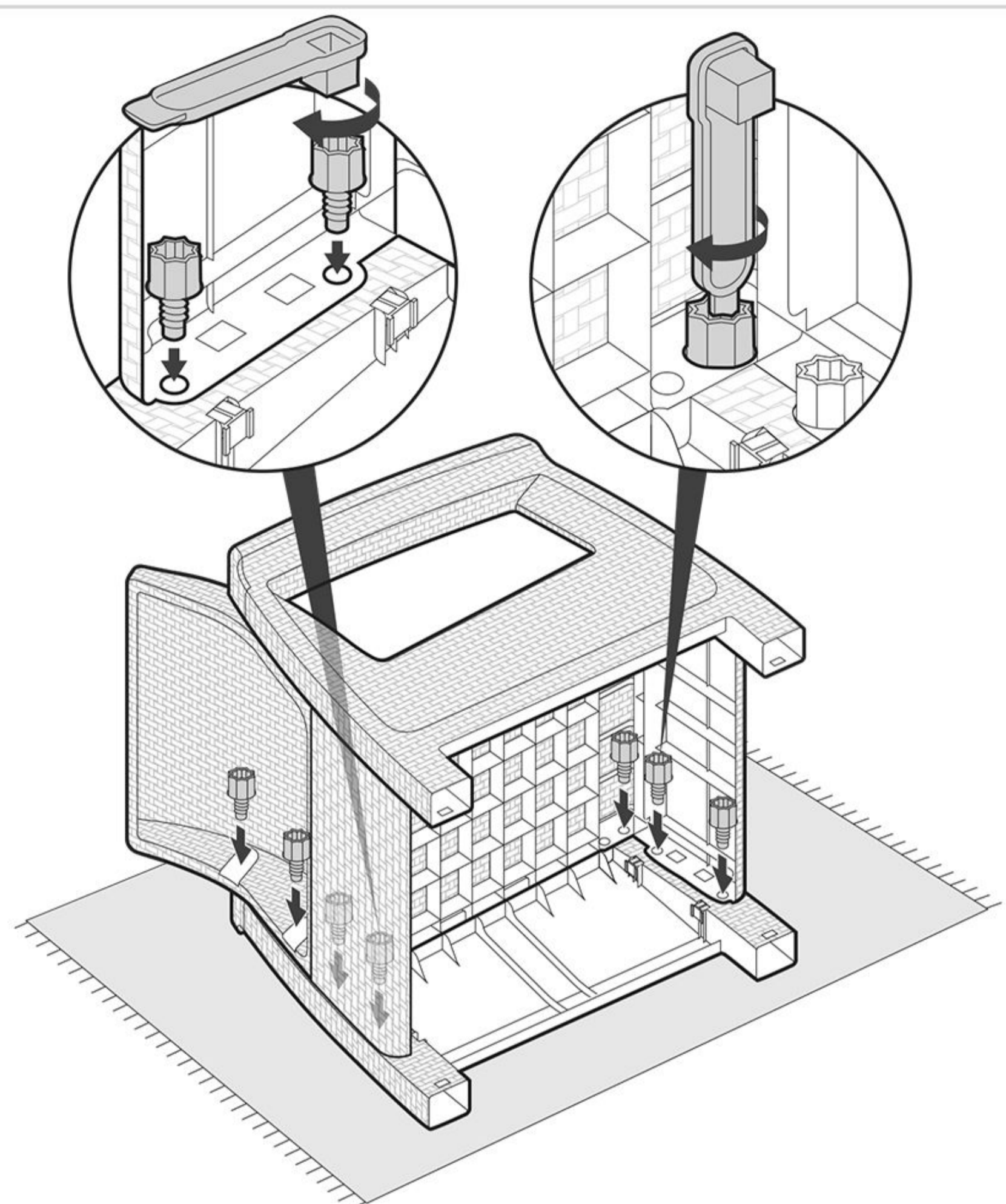
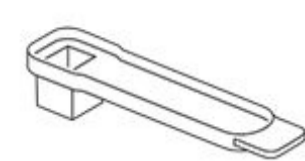


X2

10



x7



X2

12



1x1



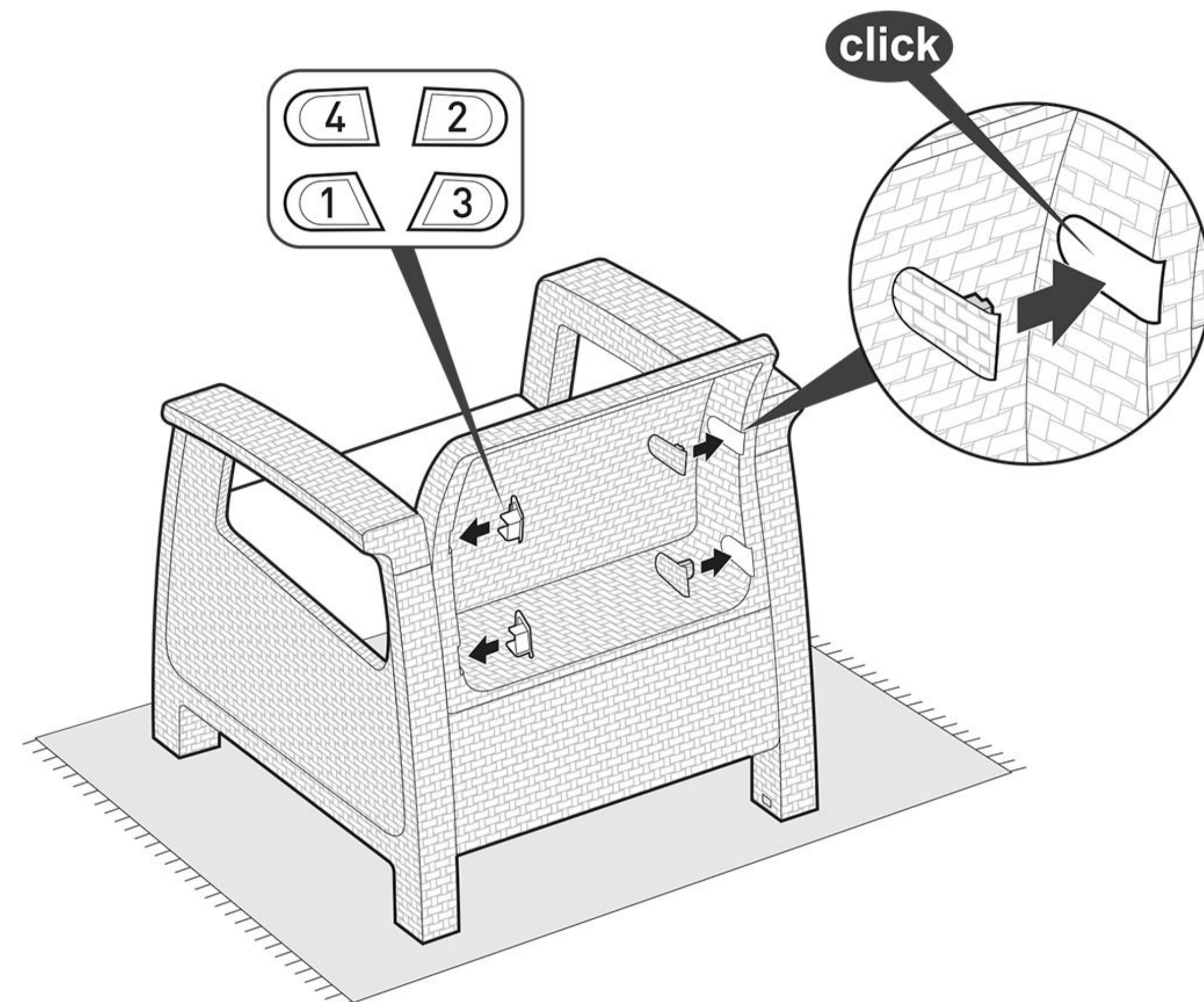
2x1



3x1

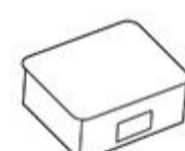


4x1

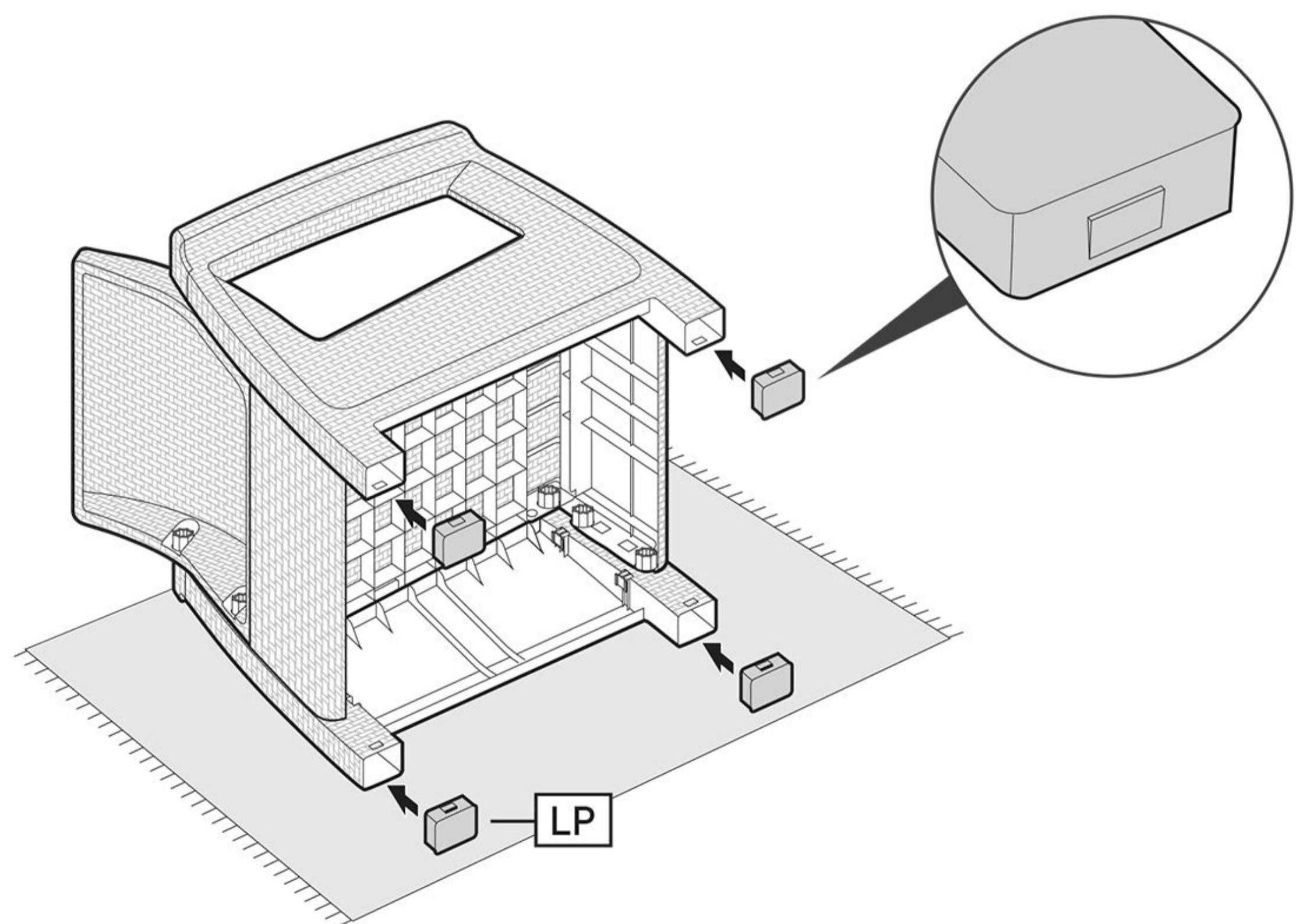


X2

11

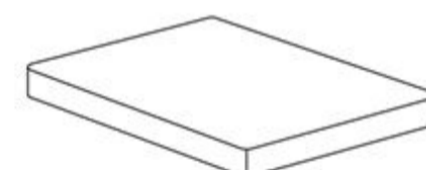


LPx4

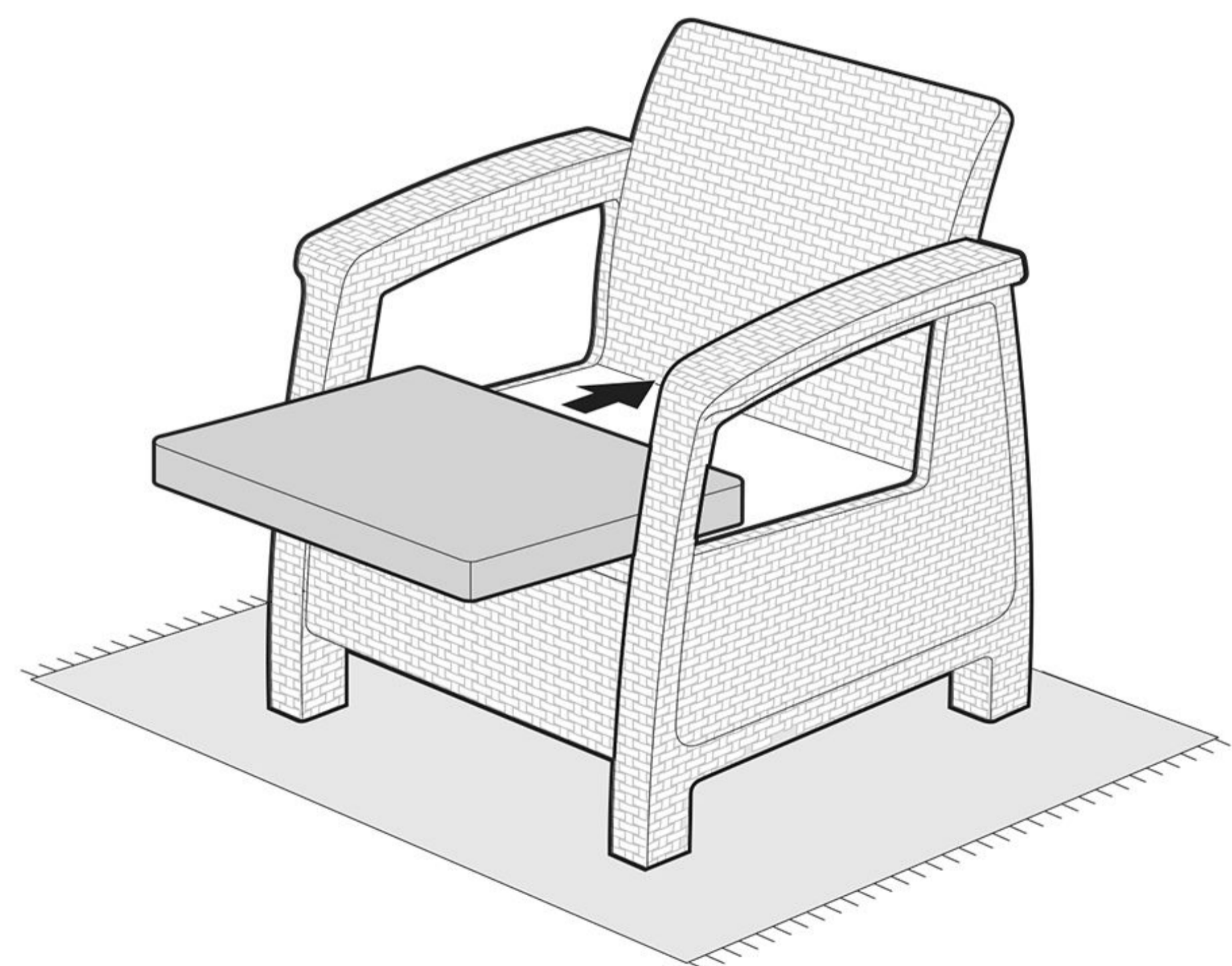


X2

13



x1



X2

